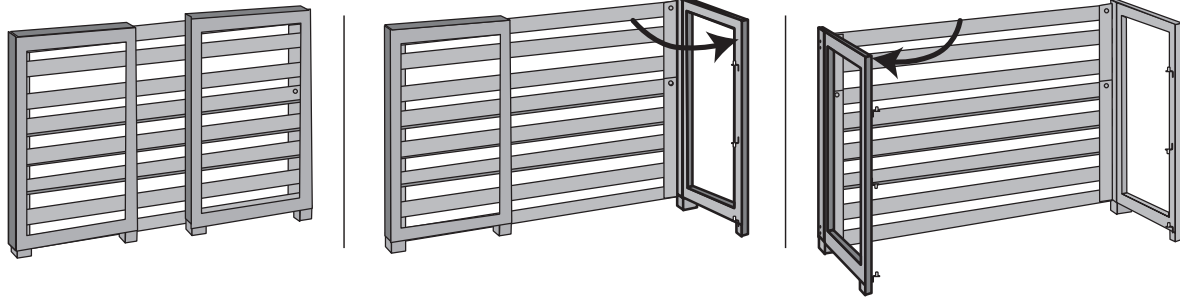
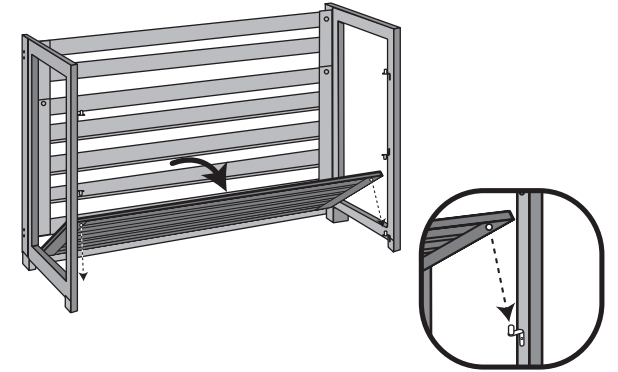


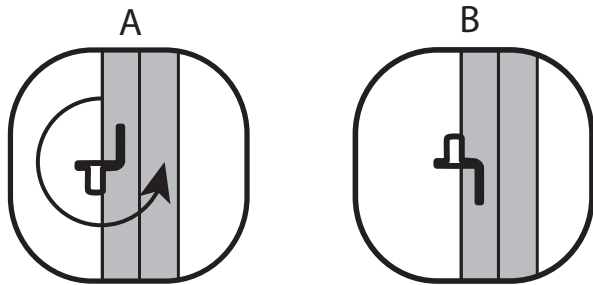
**1.** Unfold side panels



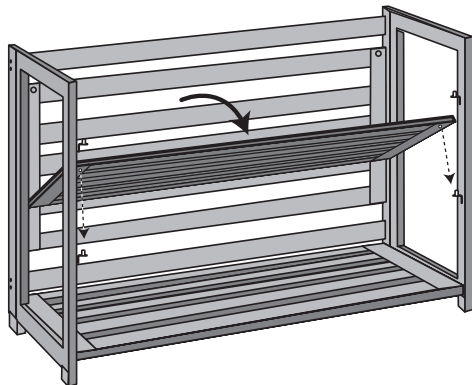
**2.** Lower the bottom shelf. Insert the pins on each of the side panels into the holes on the shelf to secure.



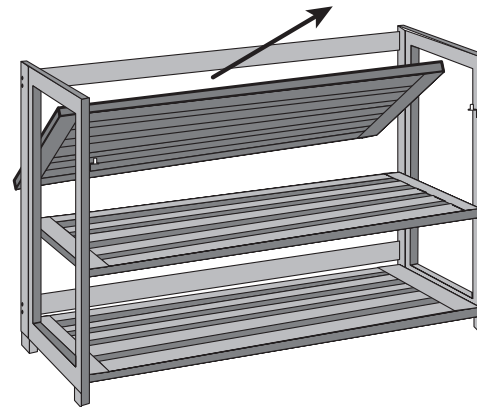
**3.** To protect the wood when the rack was folded flat, the pins for the second shelf were turned so that the pins point down. Before you lower the second shelf, turn the pins on the side panels until the pins point up.



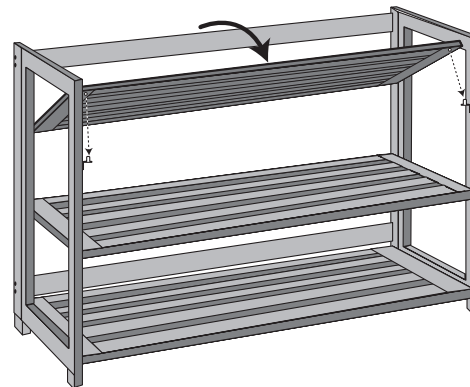
Then lower the second shelf and insert the pins into the holes on the shelf to secure.



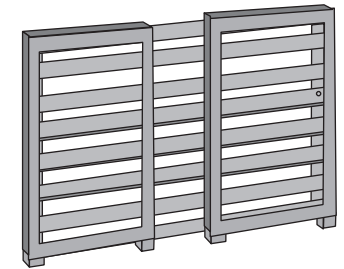
**4.** Pull the top shelf from the back toward the front.



Lower the shelf and insert the pins into the holes in the shelf to secure.



**TO STORE:** Reverse steps, starting with step 4 and ending with step 1.



**TO STACK:**

