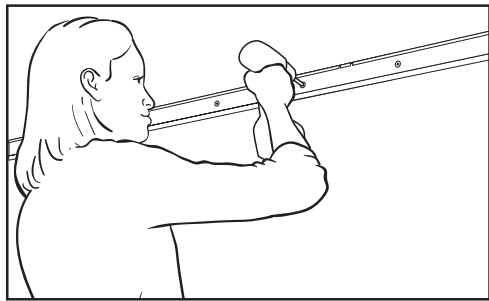
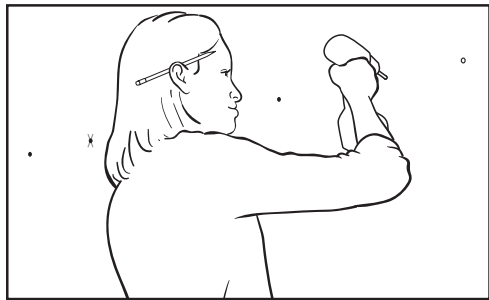
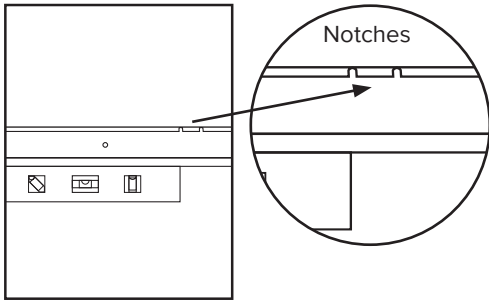


A



Tools needed: drill, screwdriver, level and pencil

TIP

Top Tracks have a top and a bottom. The "TOP" is designated on the label and has two notches to allow Hanging Standards to be inserted properly.

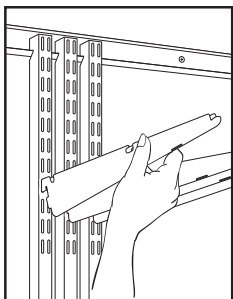
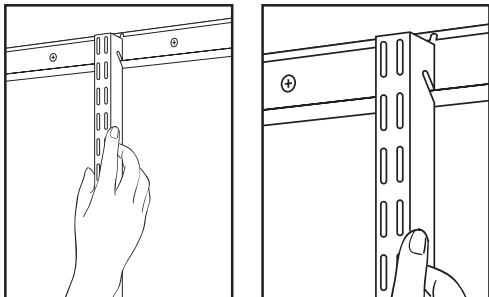
A Install The Top Track

- Position the Top Track where you want to mount it. Use a level to ensure it is straight, and mark the screw holes.
- For longer Top Tracks, drill the center hole. Secure with one screw. Tighten the screw enough to hold the Top Track against the wall while leveling and marking the rest of the holes.
- Drill all marked holes with a 1/8" drill bit the length of the drill bit. If you are mounting into 1/2" drywall (most common wall type) and do not hit a stud, enlarge those holes with a 3/8" drill bit. Insert anchors, remove the screw, and tap anchor flush with drywall.
- Place the Top Track on the wall, and insert and tighten all the screws using a power drill with a #2 Phillips head bit. In order for the wall anchors to be secure, it is important to HAND tighten the screw until it stops turning.

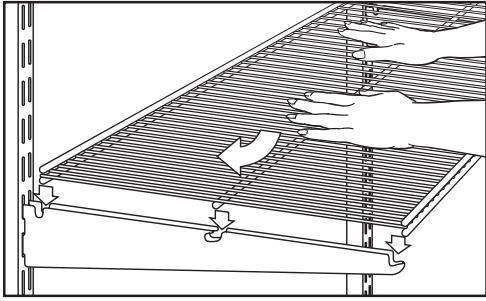
B Install The Hanging Standards and Shelf Brackets

- Insert the Hanging Standards in the Top Track notches. Group Hanging Standards together and insert Brackets at the appropriate height for shelf placement.
- Slide the Hanging Standards to the approximate position on the Top Track. Hanging Standards should be a minimum of 1/2" from the ends of the Top Track.

B



C

**TIP**

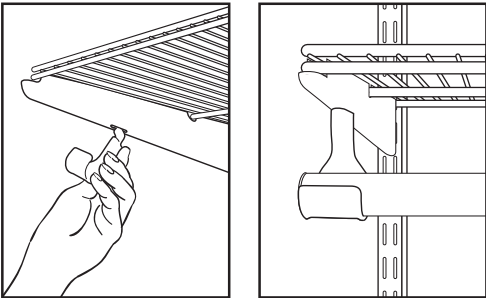
Ventilated Shelves have a top and a bottom. The middle support wire is connected to the bottom of the Shelf.

C Install Ventilated Shelves

- Place the Shelf wires over the Shelf Bracket notches. Install the Shelf with end wires inside the Brackets. Lock the Shelf into place by pressing down on the middle of the Shelf and pushing toward the wall.

NOTE: If installing two Ventilated Shelves side-by-side to create one 4' Shelf, the two Shelves will share the middle Shelf Bracket.

D

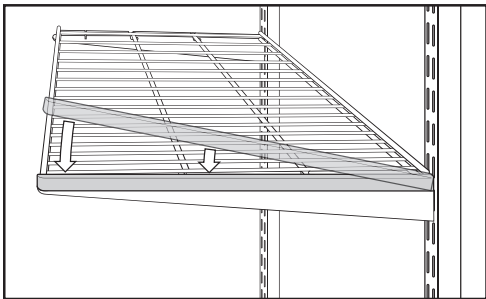
**D Install Closet Rods**

- Insert the Closet Rod Holder into the slot in the bottom of the Ventilated Shelf Bracket.
- Tap the End Caps into both ends of the Closet Rod. Snap the Closet Rod into the Closet Rod Holder. If installing Closet Rods that share a Closet Rod Holder, only tap End Caps into the non-joined ends of each Closet Rod.

E Install the Bracket Covers

- Left and Right Bracket Covers are not interchangeable. Place the outer edge of the Bracket Cover over the outer edge of the Ventilated Shelf Bracket. Push down from the back to the front to snap the Bracket Cover in place.

E

**F Install Top Track Cover**

- Start with the long pieces first. Place the bottom of the Top Track Cover into the bottom of the Top Track, then ease the top of the Top Track Cover into the top of the Top Track. For smaller areas, measure and cut the Top Track Cover with scissors to fit. Do not overlap segments of the Top Track Cover.

F

