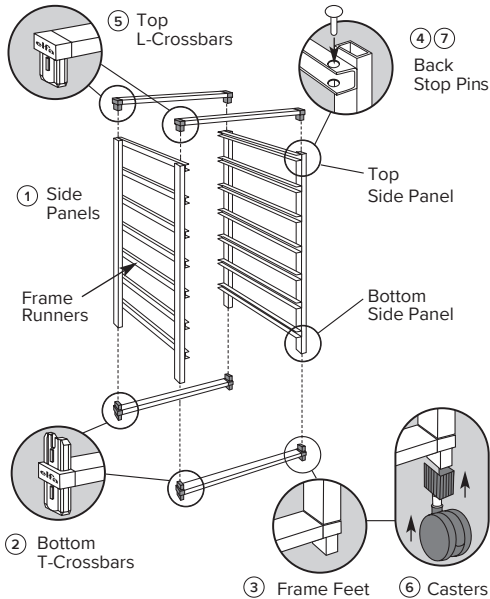


elfa® Letter-Size File Cart Assembly Instructions

DIAGRAM



Tools needed: plastic mallet, 2 pieces of tape

TIPS FOR GETTING STARTED

- If you don't have a plastic mallet, you can use a hammer with a wood block or towel to protect the frame. Take care to protect the floor.



Make sure you start with the T-Crossbar. Elfa Logo will read upside down in this position.



To keep Pins from "jumping" out of the holes while tapping the Top L-Crossbars in place, cover with a piece of tape.

Assemble the Frame

- 1 Position the Side Panels, legs sticking up and runners facing inward.
- 2 Using a plastic mallet, tap the bottom T-Crossbar into the bottom of each Side Panel. **Make sure you start with the T-Crossbar. Elfa Logo will read upside down in this position.** See diagram. Alternate tapping each side to ensure T-Crossbar inserts smoothly.
- 3 Flip Frame over so Feet are resting on the ground.
- 4 Put 2 Back Stop Pins in the back holes of the top runners. **To keep Pins from "jumping" out of the holes while tapping the Top L-Crossbars in place, cover with a piece of tape. The remaining Back Stop Pins should be put in place just prior to sliding in the Drawers.**
- 5 Tap the Top L-Crossbars down part way, alternating sides, then remove tape and tap completely into each Side Panel.

Install Casters

- 6 Turn Cart over and push on black Feet, tap into place with mallet. Insert Caster Post into each Foot. Push down firmly until it clicks into place. Repeat with other three Casters.

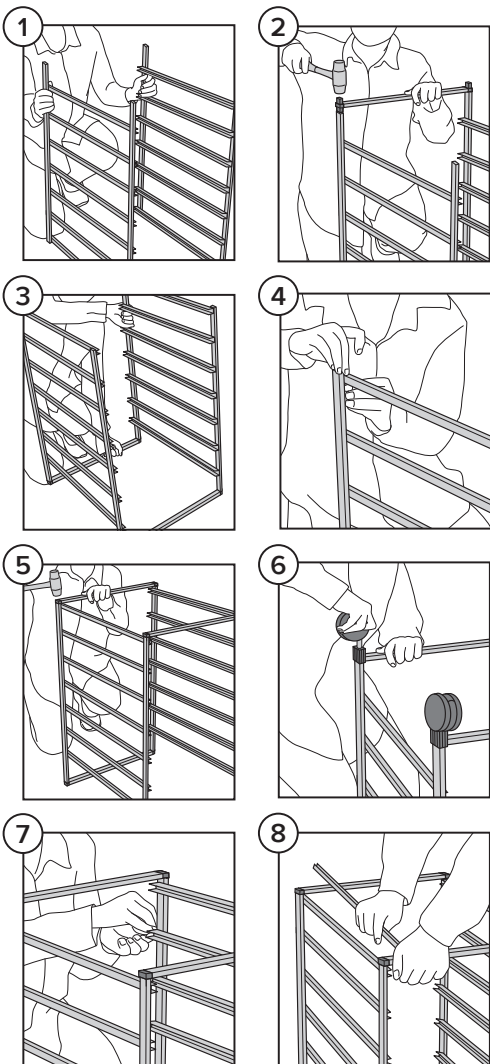
Add Drawers

- 7 Insert the remaining Back Stop Pins and slide in the Drawers.

Add File Channels

- 8 Push open end of black File Channel bracket over one of the L-Crossbars at the top of the Frame. Push other side of File Channel over other side of Frame. Repeat with other File Channel. Spread Channels apart.

For assembly video, visit [containerstore.com/elfa/installation](https://www.containerstore.com/elfa/installation)



ONLY AT The Container Store®