

Quick Reference Guide

Hardware	1
Tips Before Installing	2
Top Tracks	3
Standards, Brackets & Wire Shelves	4
Work Surfaces	7
Prepare for Lighting	8
Pegboards	11
Upper Cabinets	12
Lower Cabinets	19
Tall Cabinets	26
Drawers	34
Track Hooks	36
LED Lighting	39
Finishing	43
Work Benches	46

Document needed: Custom Design Space Plan (if you worked with a Design Specialist)

Tools needed: pencil, level, power drill, drill bit set, #2 Phillips head bit for power drill, #2 Phillips head screwdriver, hammer, tape measure, ladder or step stool, Elfa 2' spacer, plastic mallet, scissors.

TIP

- Remove all contents from your space and donate or sell all items no longer needed.
- For closets, hang clothes that you are keeping on a garment rack outside the closet during installation.
- Take out any old shelving and/or closet rods. Patch and repaint walls.
- Tape the page(s) of your custom Elfa design to the corresponding wall.
- Refer to your design for placement of your Elfa. Lay out all the products by type, size and wall.

Hardware

Based on what you have told your designer, you have been provided with the correct hardware needed to complete the installation based on your wall construction. Below are instructions for installing each type of hardware:

1 Wood Screw

Used for mounting the Top Track into drywall over wood studs or directly into wood.

Drill a hole with a 1/8" / 3mm drill bit the length of the drill bit.

TIP

- Rub the wood screw over a bar of soap before inserting it into the wall. This will make tightening the screw easier.

2 Drywall & Plaster Anchor

Used for mounting the Top Track into 1/2" / 13mm drywall (most common wall type), or 5/8" / 15mm to 1" / 26mm drywall/plaster.

Enlarge the hole with a 3/8" / 10mm drill bit.

Remove the screw from the white anchor, ensuring the gray insert stays in place.

Tap the anchor into the hole with the plastic mallet.

Discard the grey spacers that are included in the packaging (not shown).

3 Sheet Metal Screw

Used for mounting the Top Track into drywall over sheet metal studs.

Drill a hole with a 1/8" / 3mm drill bit the length of the sheet metal screw.

4 Concrete Screw

For concrete/masonry (cinder block or brick), drill a hole with a 5/32" / 4mm masonry drill bit the length of the concrete screw.



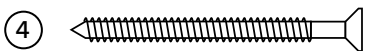
Wood Screw



Drywall & Plaster Anchor



Sheet Metal Screw



Concrete Screw

Tips Before Installing

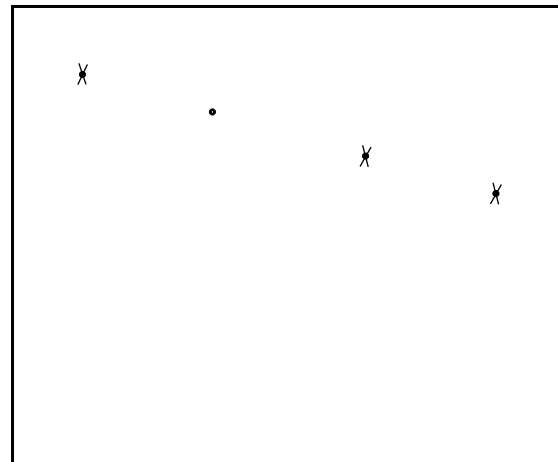
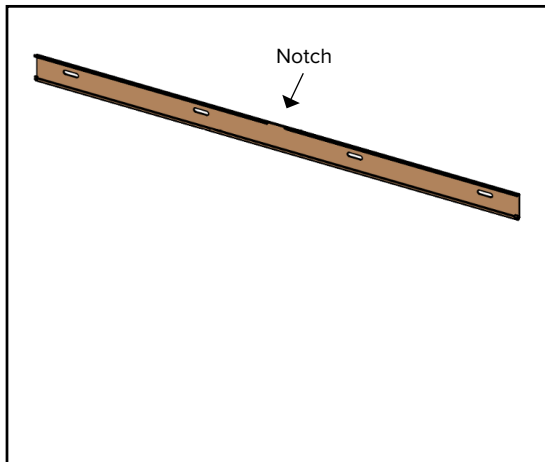
Overall Process For Installing Any Garage+ by Elfa Space

- Always start by mounting your Top Track.
- If lighting is part of your solution, run Lighting Cables through your Hanging Standards using the Cable Organizers and pull connector ends through the correct slots (bend ends back so they don't fall back through the slots) according your Space Plan. Allow Lighting Cable to hang out 3"-4" / 75mm-100mm from the bottom of the Standard.
- To square up the solution, first hang Standards on the Top Track. Push Standards together and add all Brackets. Position Standards according to your Space Plan. Add top Shelves or Work Surfaces to keep Standards in place. Use a level to square up Standards. Use a pencil to mark holes for securing Standards to wall. Remove Shelves or Work Surfaces used to square up your solution. Slide Standards over so you can drill pilot and anchor holes. Insert anchors. Slide Standards back into place. Do not screw the Standards to the wall at this time.
- Connect Lighting: Secure Transformer in Cable Box. Mount Cable Box to Standards close to your power source. Add necessary Lighting Cables to link Lighting Cables in Standards together, pulling Lighting Cables up and across Top Track as needed. After installing Wire Shelves or Cabinets, install Light Bars and connect to Lighting Cables. Connect Lighting Cable and bottom of Standard to Transformer. Plug Power Cord into outlet.
- Assemble any Cabinets and set aside. Cabinets that hang from Standards will be the last elements you install. This is when you will fully secure the Standards to the wall.
- Install Wire Shelves and Work Surfaces working from the top down.
- Install any Drawers working from the bottom up and adding Mesh Drawers as you go.
- Install any Pegboards.
- Secure Standards to wall.
- Install Cabinets.
- Install Light Bars and connect Lighting Cables.
- Add Cable Covers under Cabinets.
- Install Top Track and Standard Covers.
- Assemble and secure Work Bench.

Top Tracks

Made of exceptionally strong powder-coated steel, the Garage+ by Elfa Top Track and Standards are designed to stand up to heavier storage needs.

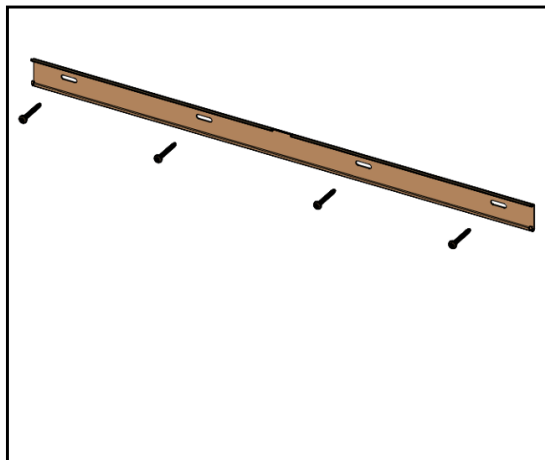
Attach Top Track on Wall



Measure up from the floor approximately 94½" / 2,401mm and mark. Level your Top Track at mark and draw a line across the Top Track. Mark holes.

TIP: Position the Track with the notch at the top and hit at least one stud. Track must be placed at least 1" / 26mm from ceiling to allow clearance to hang Standards.

Pull Track and drill pilot holes with a 1/8" / 3mm bit. Oval-shaped holes make it easier to hit a stud. Enlarge holes with no stud with a 3/8" / 10mm bit. Place drywall anchors.

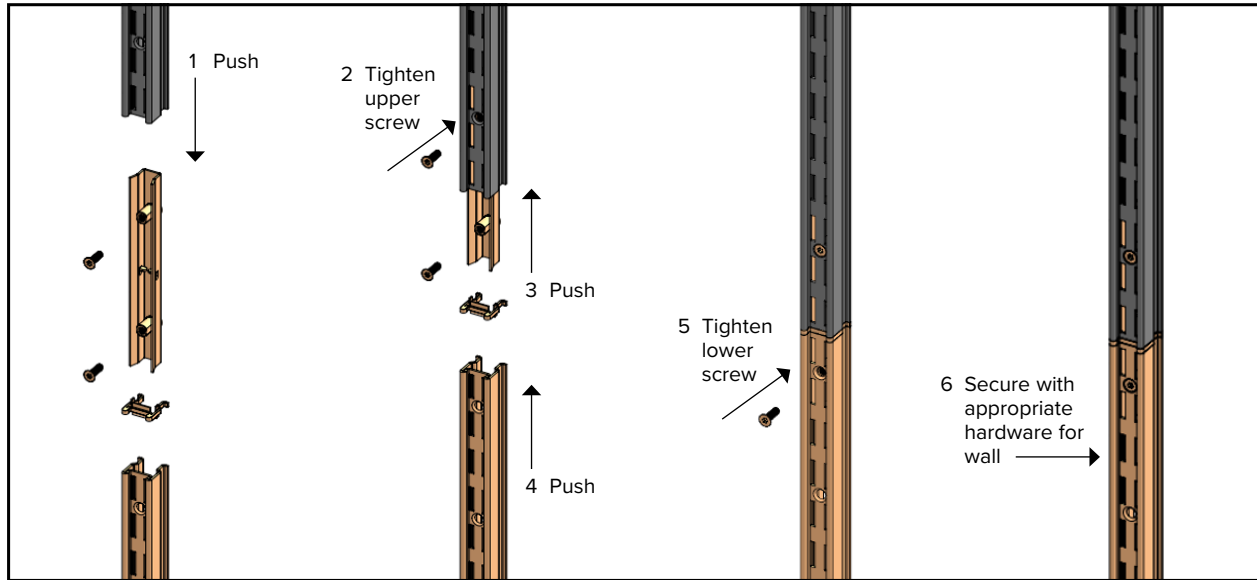


Place the Track on the wall with the notch at the top, insert and tighten all the screws using a power drill with a #2 Phillips head bit. To avoid stripping the screws, finish hand tightening with a #2 Phillips head screwdriver. Attach to at least one stud.

NOTE: Extension Standards and Adapters are only needed for taller solutions. If your solution is a standard height, skip to page 5.

Standards

Attach Extension Standard & Adapter

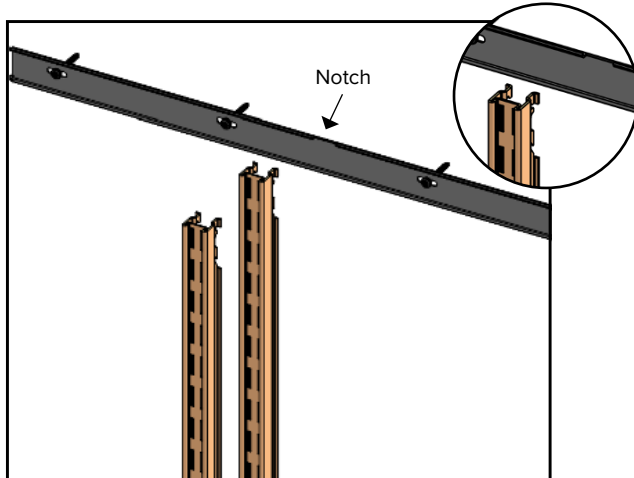


Use the Extension Standard and Adapter to create a longer Standard for taller solutions. Push the Standard and the Extension Standard together over the Adapter. Use the included wrench to secure with the two screws.

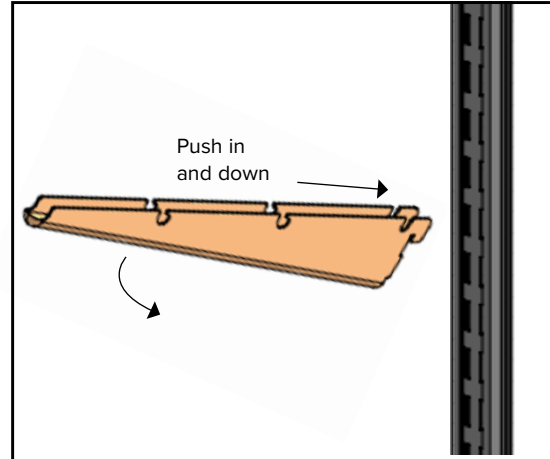
NOTE: Brackets can not be installed at the connection of the Extension Standard.

Standards & Brackets

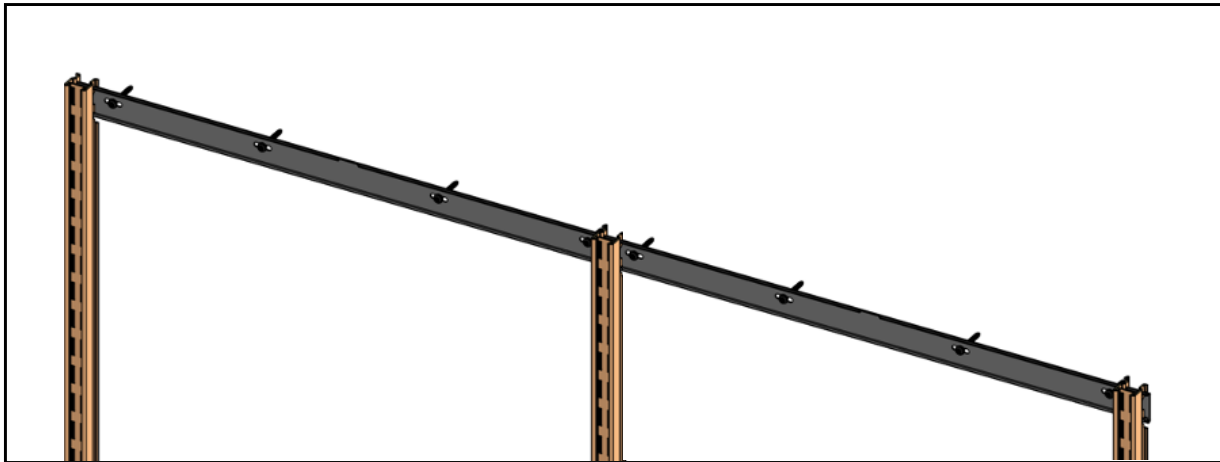
Attach Hanging Standards & Square Up Space



Insert each Standard at the notch in the Top Track. Slide over. Group Standards together to make it easier to add Brackets in the correct holes. Refer to your Custom Design Space Plan for slot placement.



Insert Bracket into correct slots at an angle. Tilt down to secure.

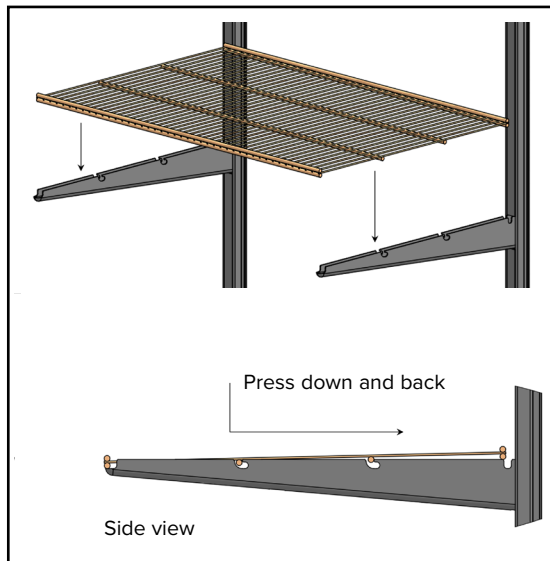


Then use the Elfa Spacer provided to slide Standards to position according to your design. Hanging Standards should be a minimum of 1/2" / 13mm from the ends of the Top Track.

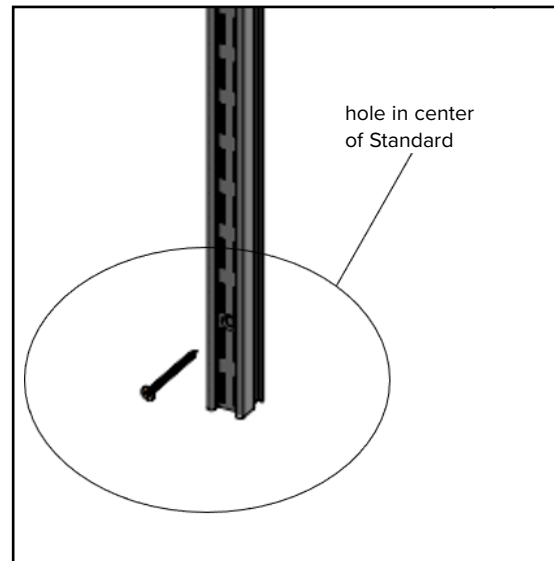
NOTE: Outside of the US, hang standards have a safety stop on each end. There is no need to leave extra space on the ends of the track.

Standards, Brackets & Wire Shelves

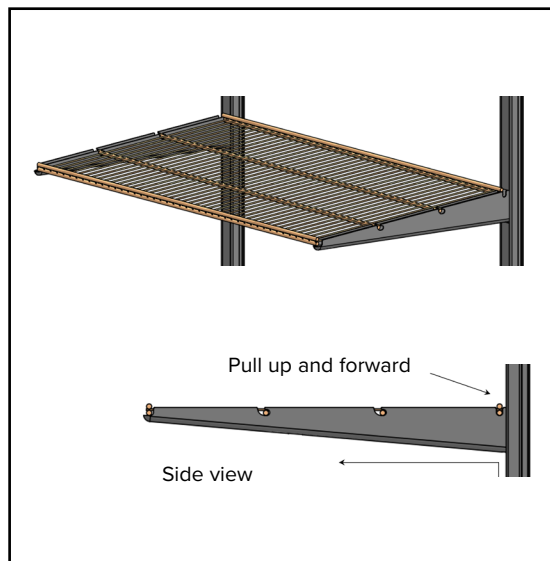
Attach Top Row of Wire Shelves or Work Surface (see page 7) and Square Up Space



Position Wire Shelf over Brackets with notches aligned. Press down and back to lock into place. Two Shelves can share a Bracket. Complete the top row of Shelving or Work Surface. Use a level to square up the Standards on the wall.



Mark the locations of the middle and bottom holes in the Standards.



Remove Shelves or Work Surface and set aside. To remove a Wire Shelf, pull up and forward on the back of the Shelf. Slide Standards over a few inches to allow room to drill holes.

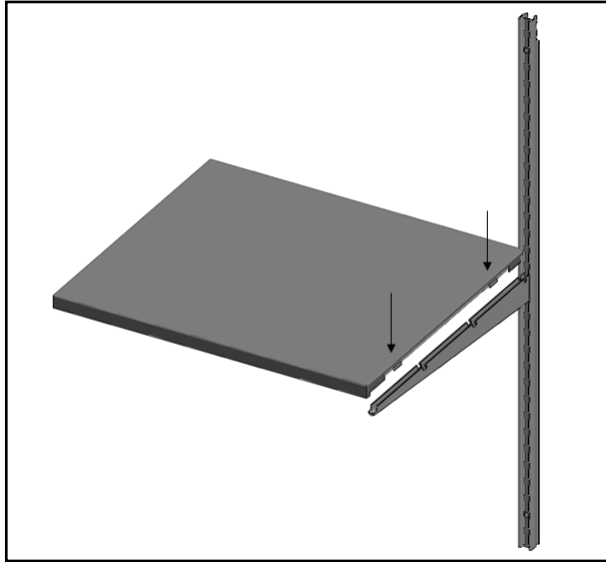


Drill a 1/8" / 3mm hole at each marked location. If you don't hit a stud, enlarge that hole with the appropriate drill bit size for the hardware needed for your wall construction. Place anchors in each enlarged hole.

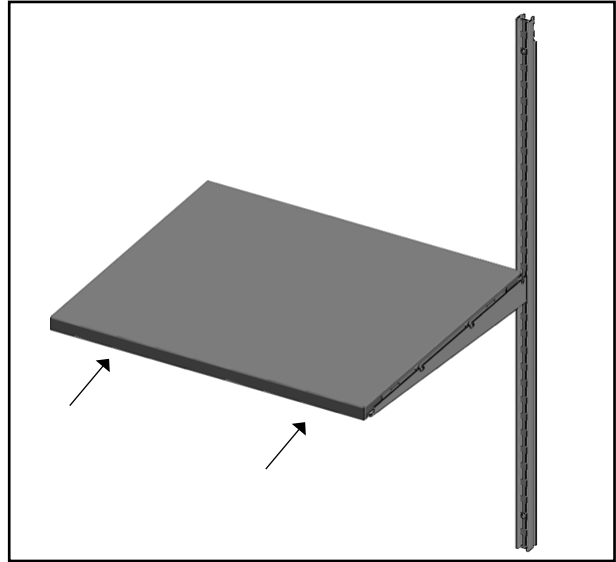
NOTE: Don't secure Standards to wall until installing Shelving, Work Surfaces and Pegboards. Standards must be secured to wall before hanging Cabinets.

Work Surfaces

Attach Work Surfaces



Position Work Surface over Brackets with tabs over notches in Brackets.



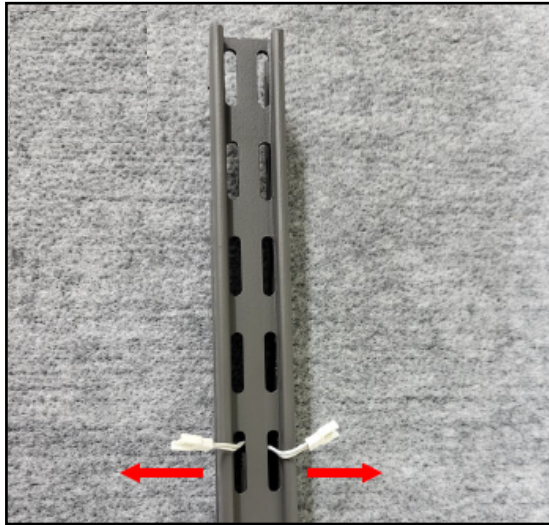
Firmly push down and back to lock in place.

NOTE: If your solution does not include lighting, skip to page 11.

Prepare for Lighting

Please refer to your Custom Design Space's Lighting Plan for which Standards to place cables in.

Run Lighting Cables Through Standards

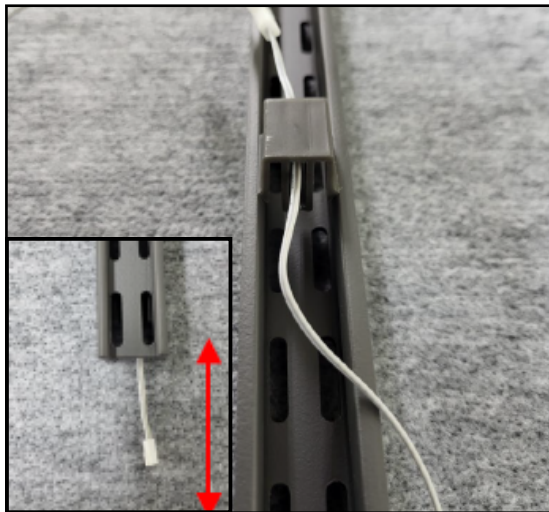


Feed connector ends of Lighting Cable through the correct slots for where your lights will be placed (according to your Space Plan). One split of the Lighting Cable will plug into the wire coming off your light. If you have more than one light, you will use the other end to connect to another Lighting Cable. (Only one end will go through the slot.)

TIP: Fold connector ends back so they don't fall back through the slots.



Turn the Standard over so the back is facing up. Use 3-4 Cable Organizers along cable. The cable should be in the middle slots of the Organizer Clips.



Connect as many Lighting Cables as needed to reach the lower part of the Standard. A minimum of 3"-4" / 75mm-100mm should hang outside the lower part of the Standard.



Push the clips down the back of the Standard so they are flush. NOTE: If using an Extension Standard, Cables can be ran down the back of the Standard in the same way.

Prepare for Lighting

Extension Standards and Hanging Prepared Standards on Track

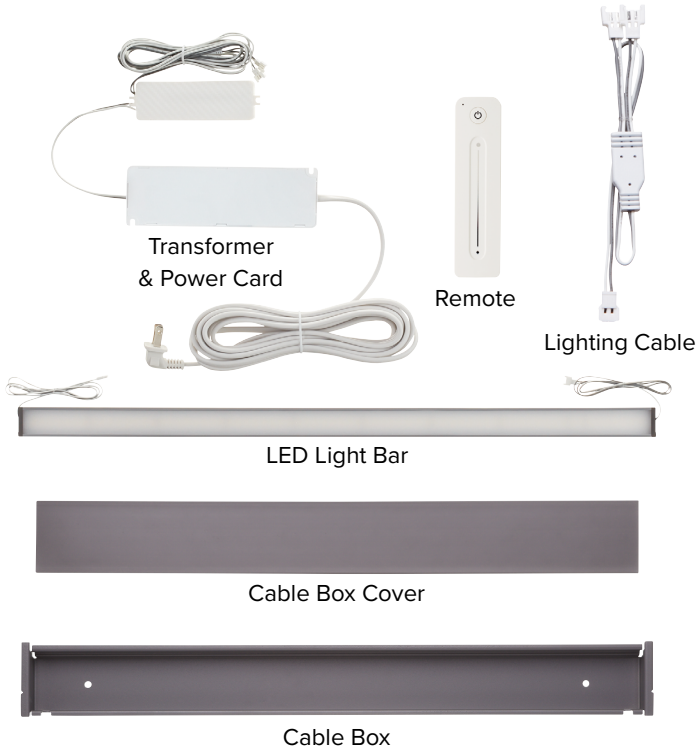


If using an Extension Standard, Lighting Cables can be run down the back of the Standard in the same way.

NOTE: See page 5 to hang Standards on Top Track.

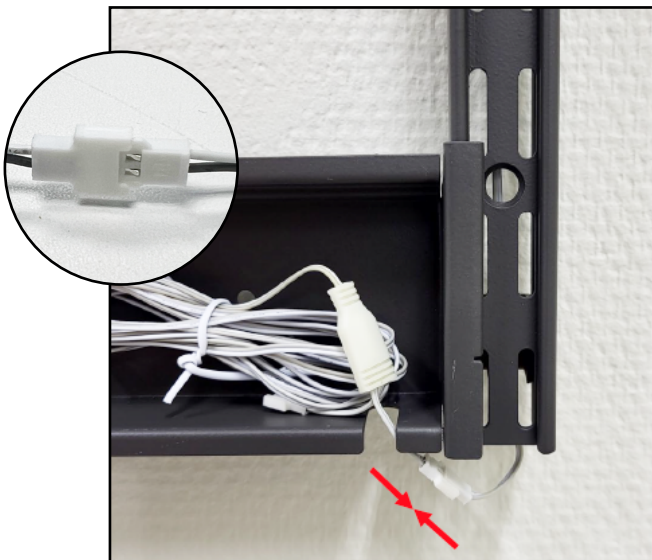
Prepare for Lighting

Your Installation Box holds your Transformer. Mount it close to your wall outlet or at the bottom of the Standards. Refer to your Space's Lighting Plan.



The Transformer & Power Cord can be mounted loose in the Cable Box or secured with the included double-sided tape.

Connect Wires Together



Mount the Cable Box next to the connector end of the Lighting Cable hanging out of the bottom of the Standard. Connect the connectors to each other.

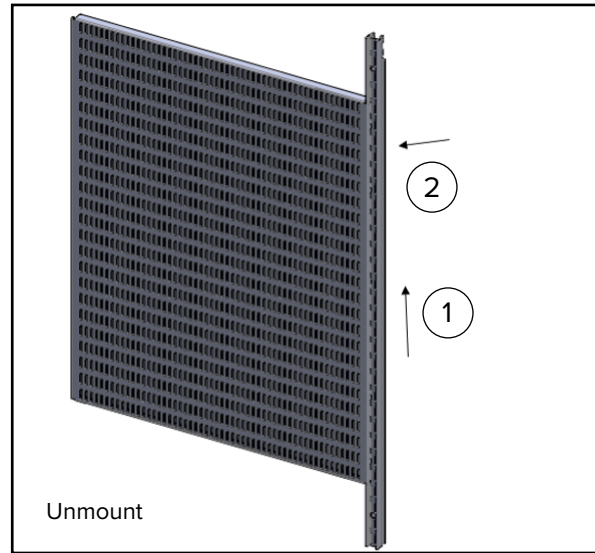
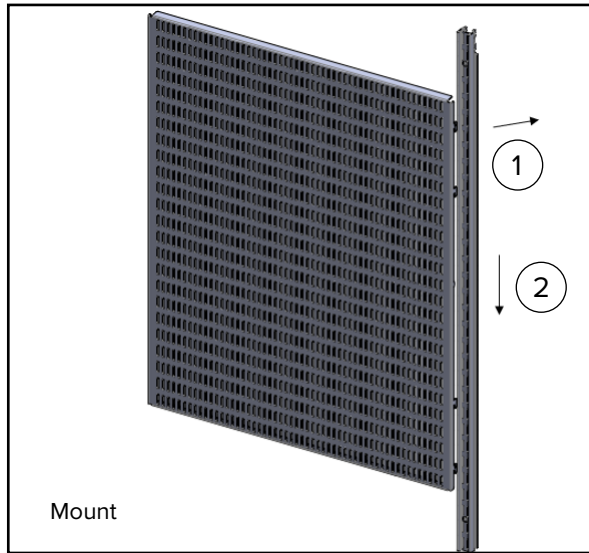
NOTE: Do not plug the power cord into an electrical outlet at this time.



Install Cable Box Cover.

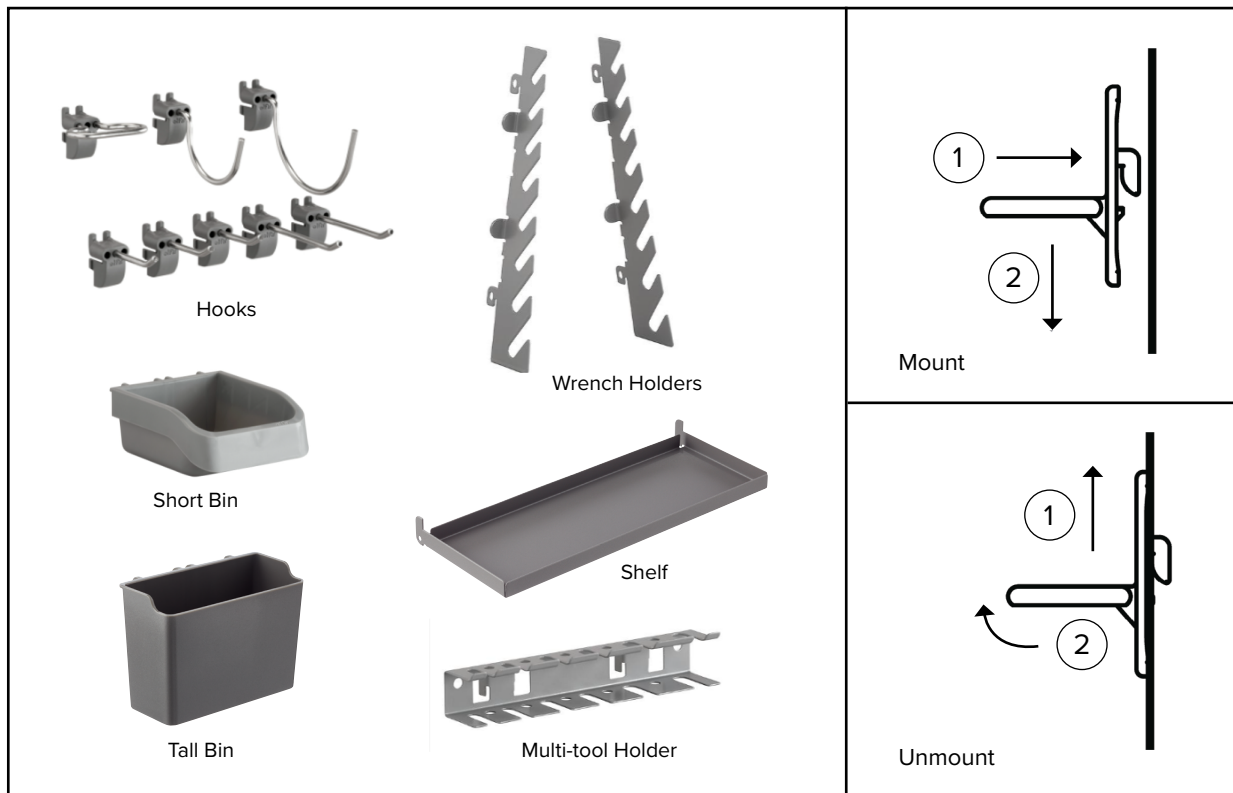
Pegboards

Attach Pegboard



Position tabs in Standard slots and pull down to mount Pegboard.

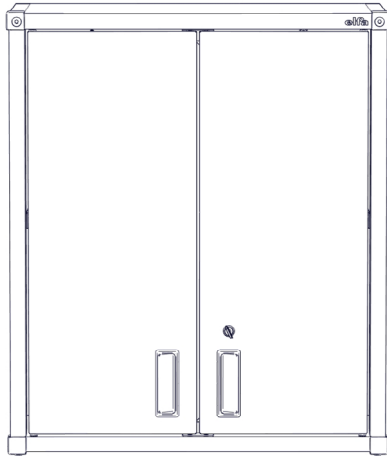
Attach Pegboard Accessories











Position tabs in Pegboard slots and pull down accessory to lock into place. To remove hook, push in and slide up in slot. Pull hook off pegboard.

Upper Cabinets

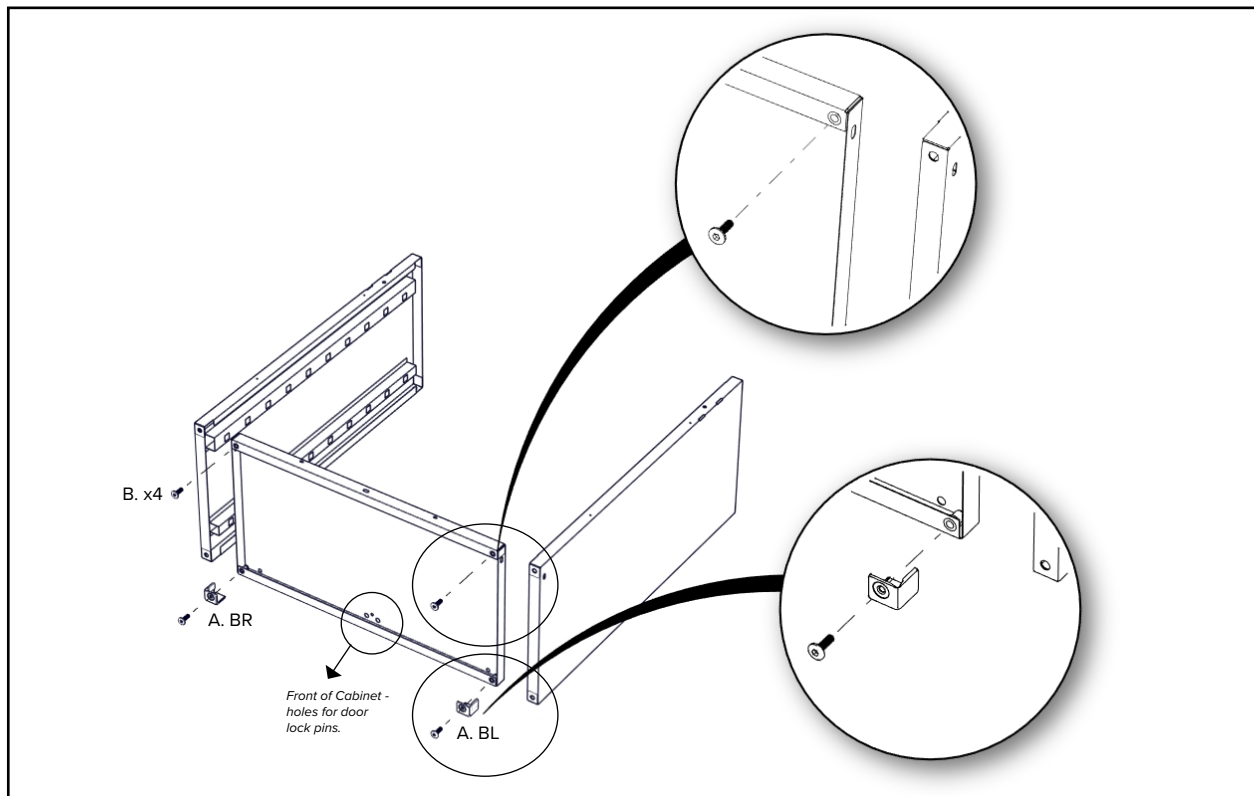
Upper Cabinets can either be mounted to the wall or hung from Standards.



Hardware included in Upper Cabinet Frame packaging:

- A. x4 (Corner protectors marked with TL, TR, BL, BR) 
- B. x6 
- C. x8 
- D. x2 
- E. x4 
- F. x2 (left and right if hanging from Standards) 
- G. x2 
- H. x1 - 550mm
x2 - 270mm
(included in assembly instruction for Light) 

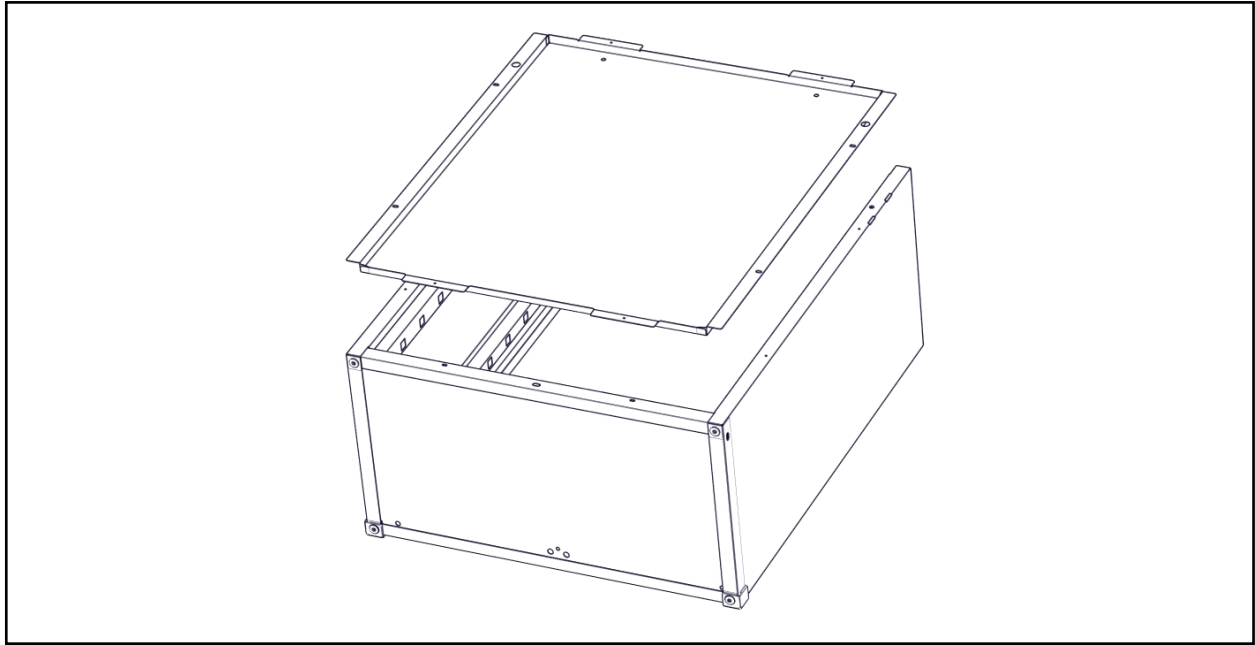
Assemble the Cabinet



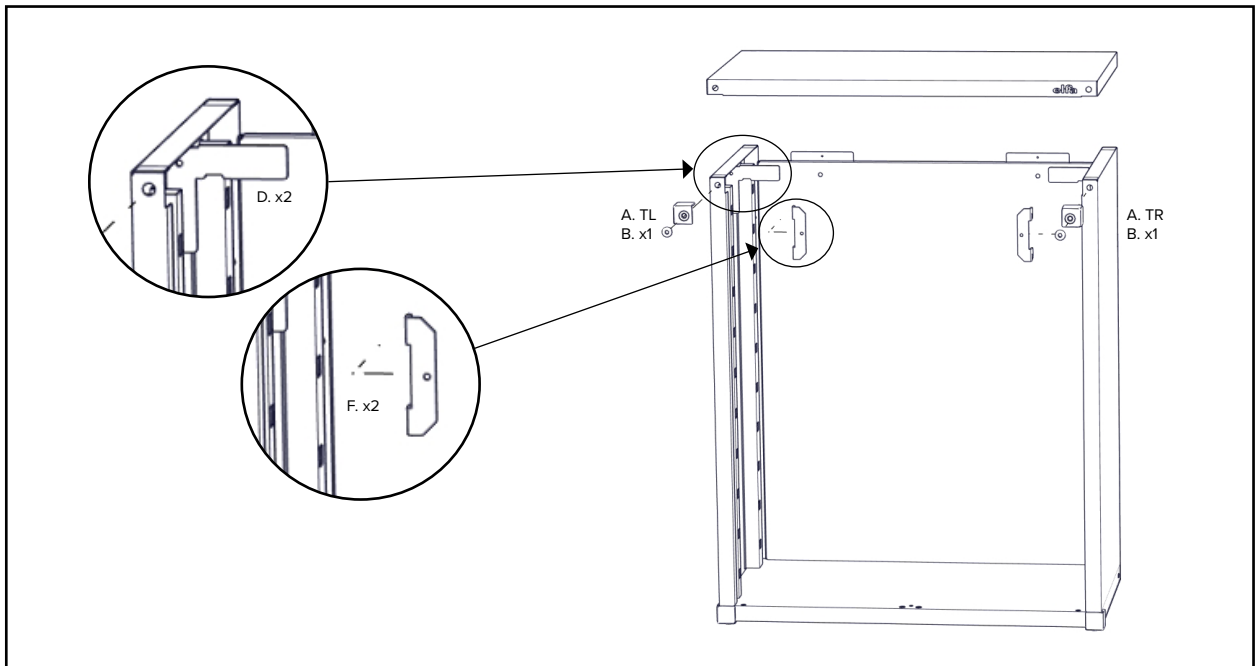
Attach side panels to the base of cabinet with screws. Corner protectors are used on the front corners of the cabinet.

Upper Cabinets

Assemble the Cabinet *continued*



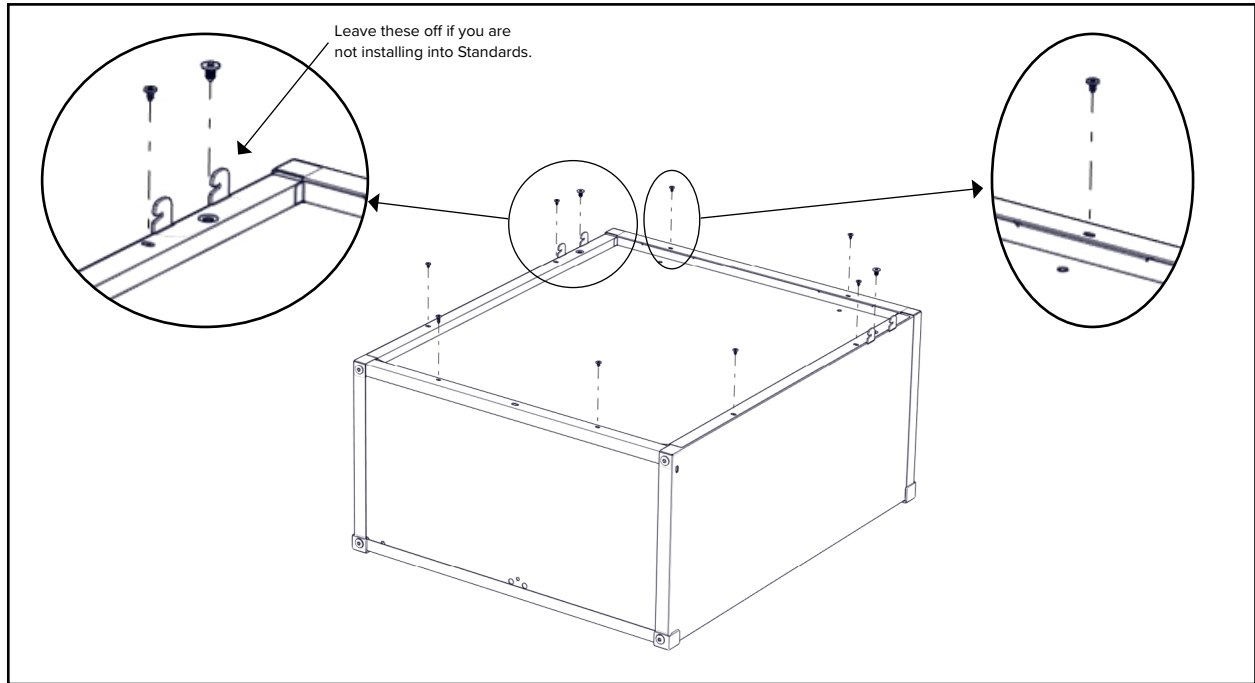
Position Back Panel. If you are hanging your cabinet from Standards, install hangers (F) to the inside of your Cabinet.



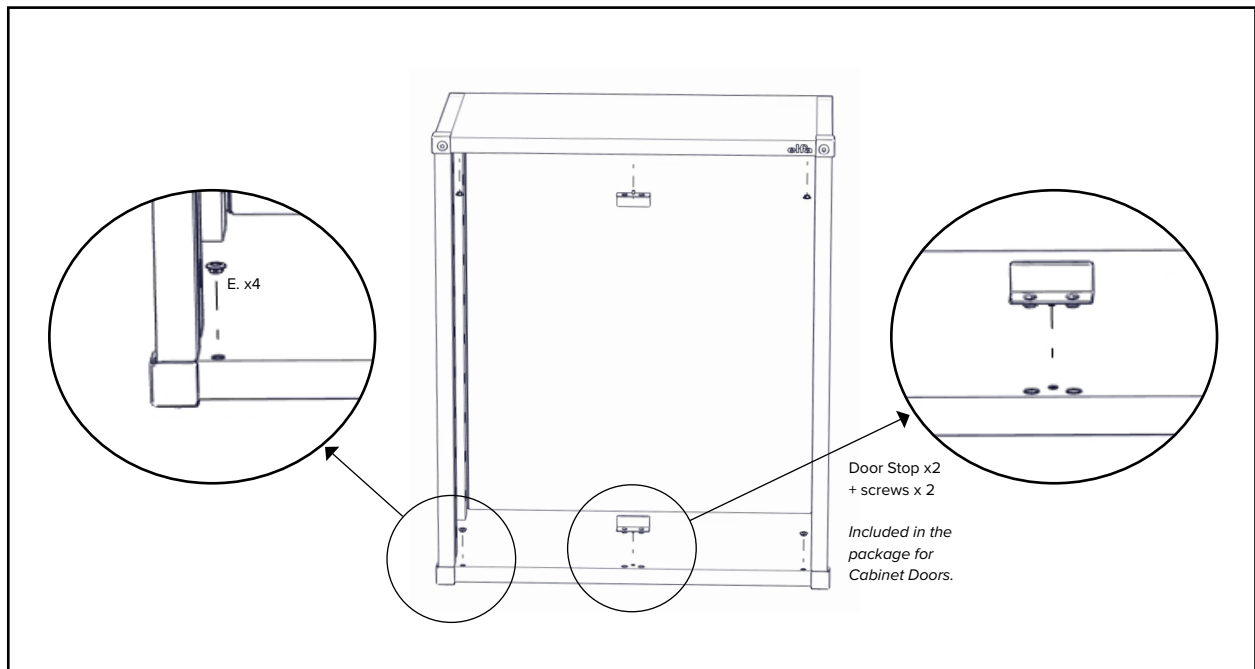
The hooks of the Hangers will stick out the back of of the Cabinet. Position the Top of the Cabinet.

Upper Cabinets

Assemble the Cabinet *continued*



Secure Back Panel and Top with bolts as shown.

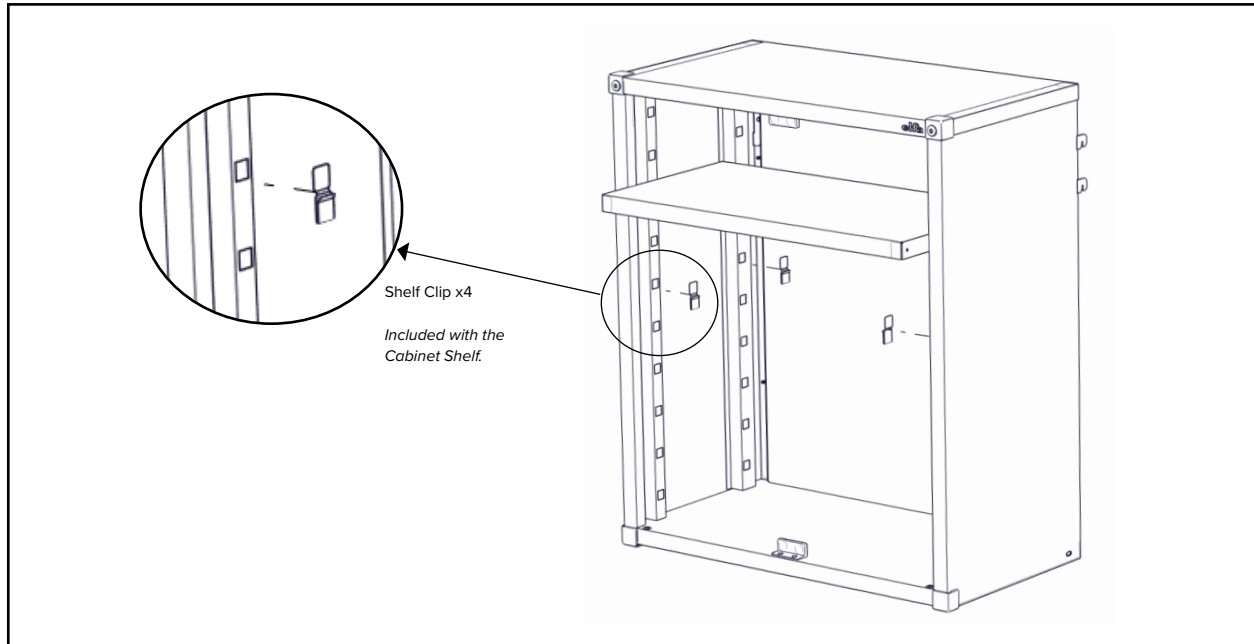


Install Corner Protectors and Door Stops as shown.

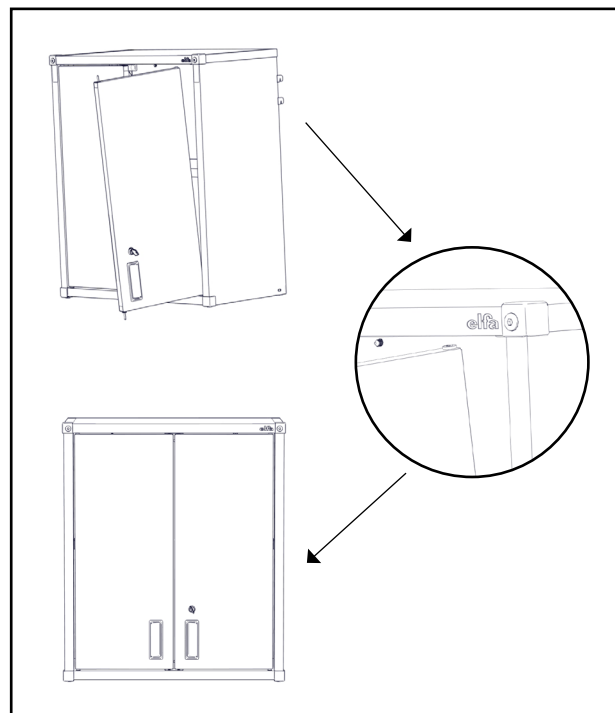
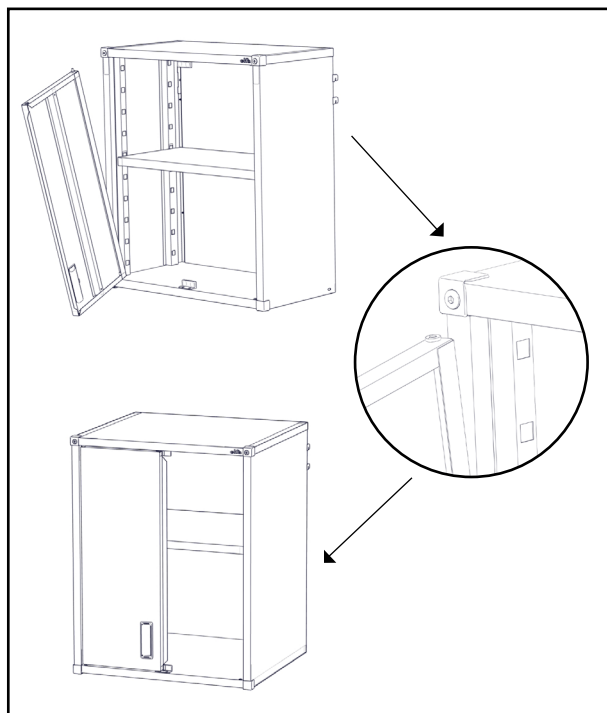
Upper Cabinets

Assemble the Cabinet *continued*

TIP: Cabinets will be lighter to lift if Shelves and Doors are installed after hanging the Cabinets.



Position Shelf Clips and install Shelves.

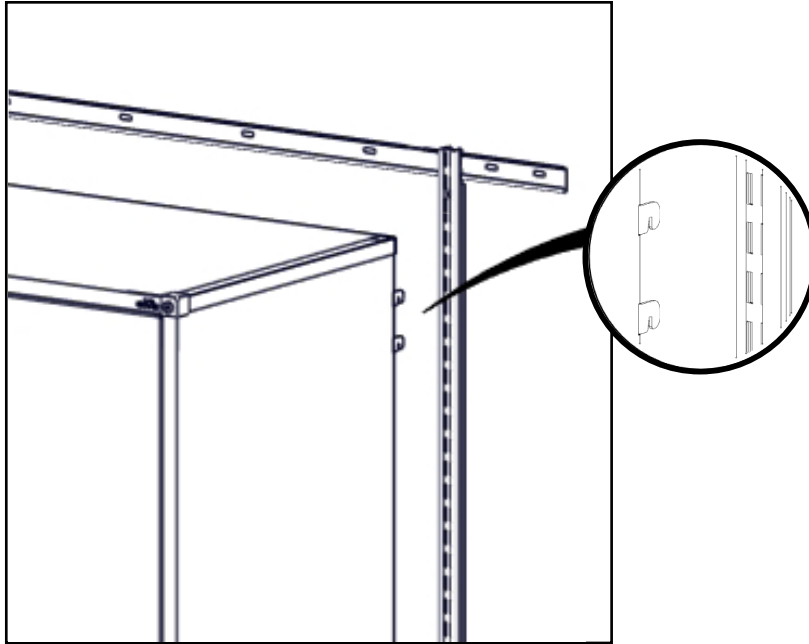


Add Doors as shown.

Upper Cabinets

Mount Cabinet in Standards

NOTE: Fully secure Standards to wall before mounting Cabinet.



Lift Cabinet in place and angle Hanging Hooks on back of Cabinet into correct slots on Standards.

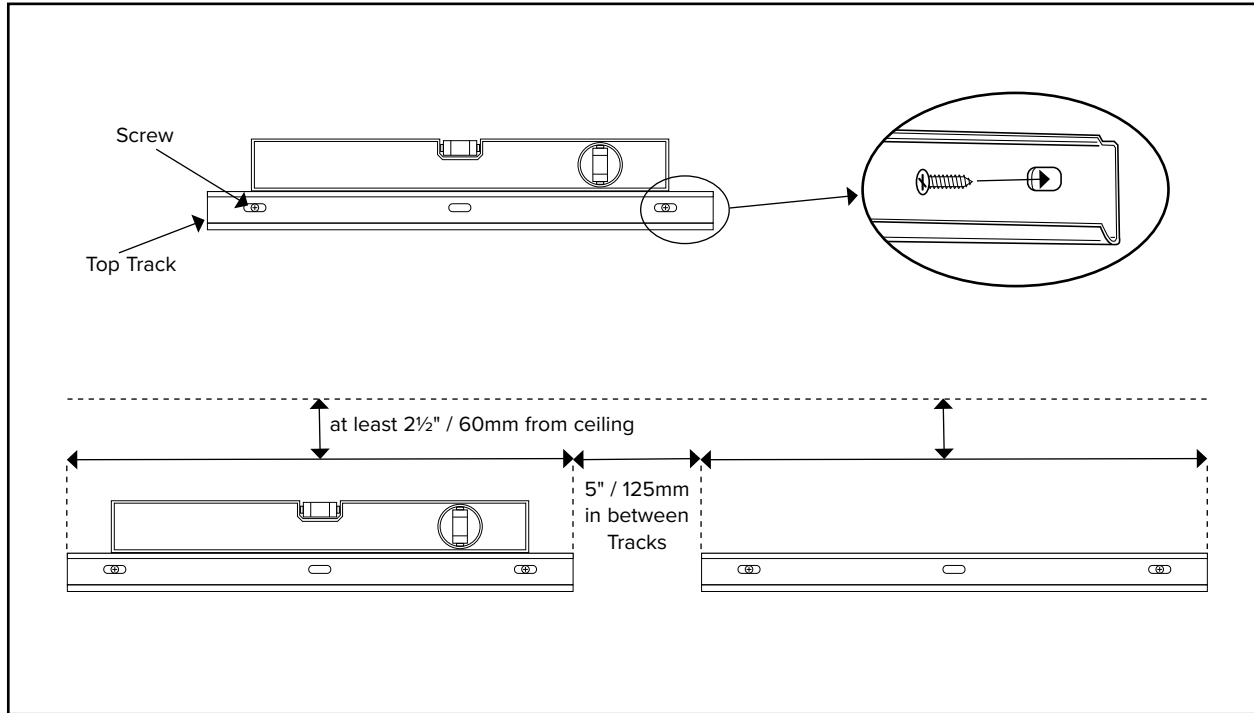
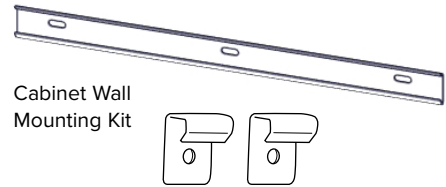
Repeat for additional Cabinets.

NOTE: Use these instructions if wall-mounting Cabinets instead of hanging them from Standards.

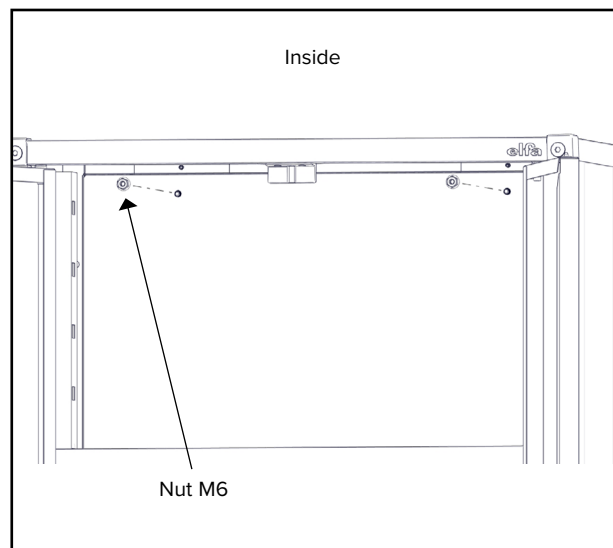
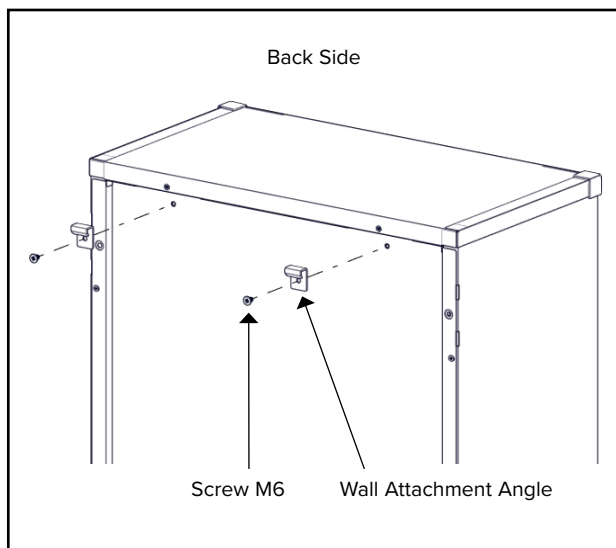
Upper Cabinets Mounted on a Wall

Mount Cabinet on a Wall

You need one Mounting Kit for each Cabinet you are hanging.



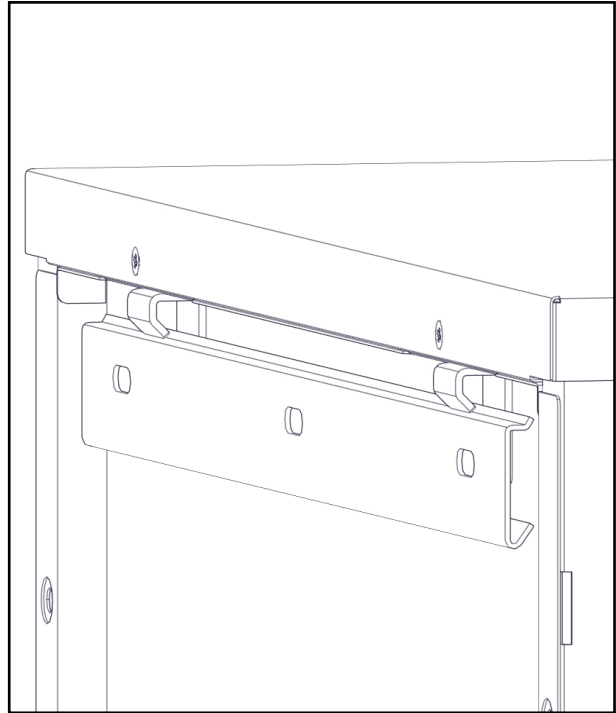
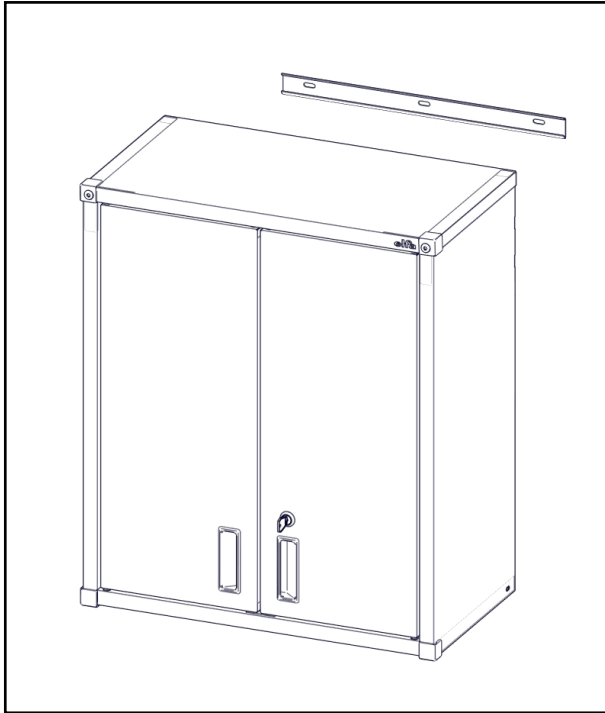
Level Track on wall and install with screws and anchors. If mounting several Cabinets, space as shown. Also, Track must be placed at least 2 1/2" / 60mm from ceiling to allow clearance to hang Cabinets.



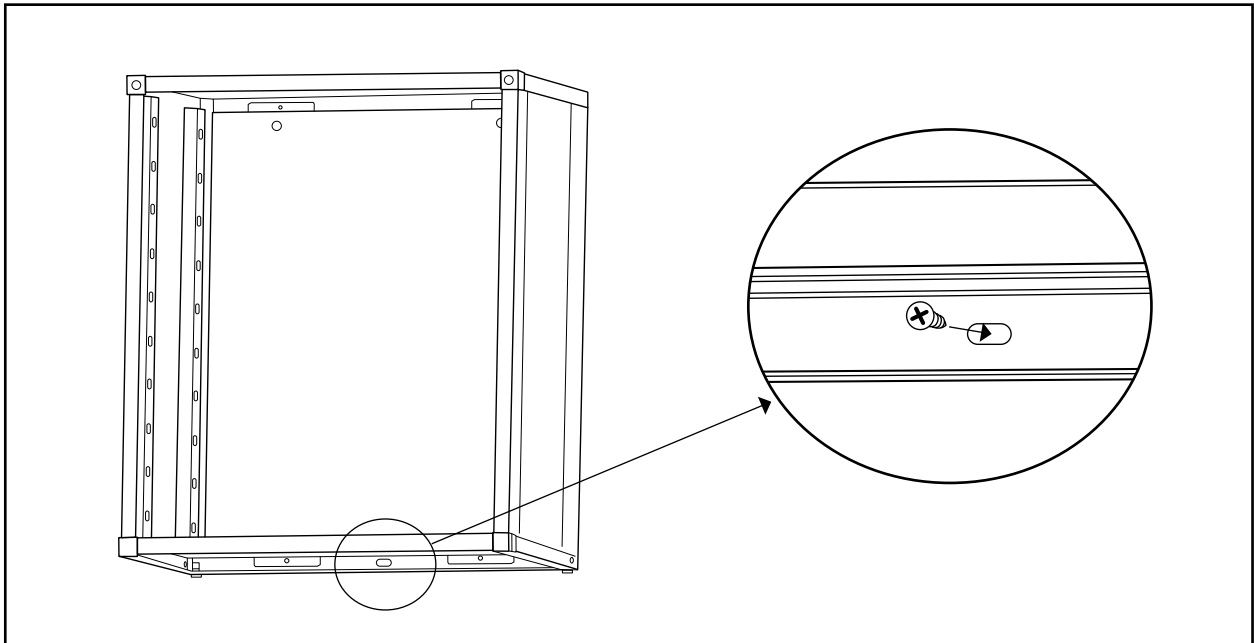
Mount Wall Attachment Angles on the back side of the Cabinet. Insert bolt from back of cabinet and secure with nut on the inside of the cabinet.

Upper Cabinets

Mount Cabinet on a Wall *continued*



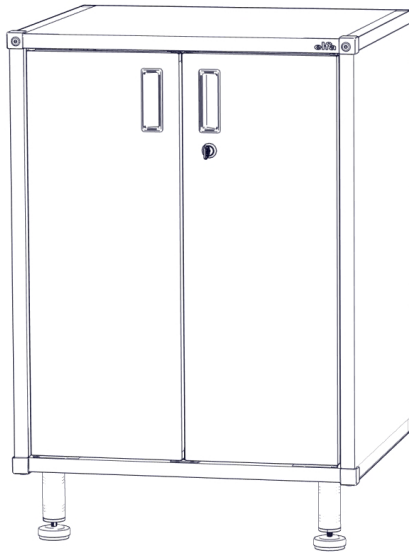
Hang Top Cabinet on the Top Track.









Secure the Cabinet to the wall using the appropriate wall-mounting hardware (if you don't hit a stud, use a drywall anchor).

Lower Cabinets

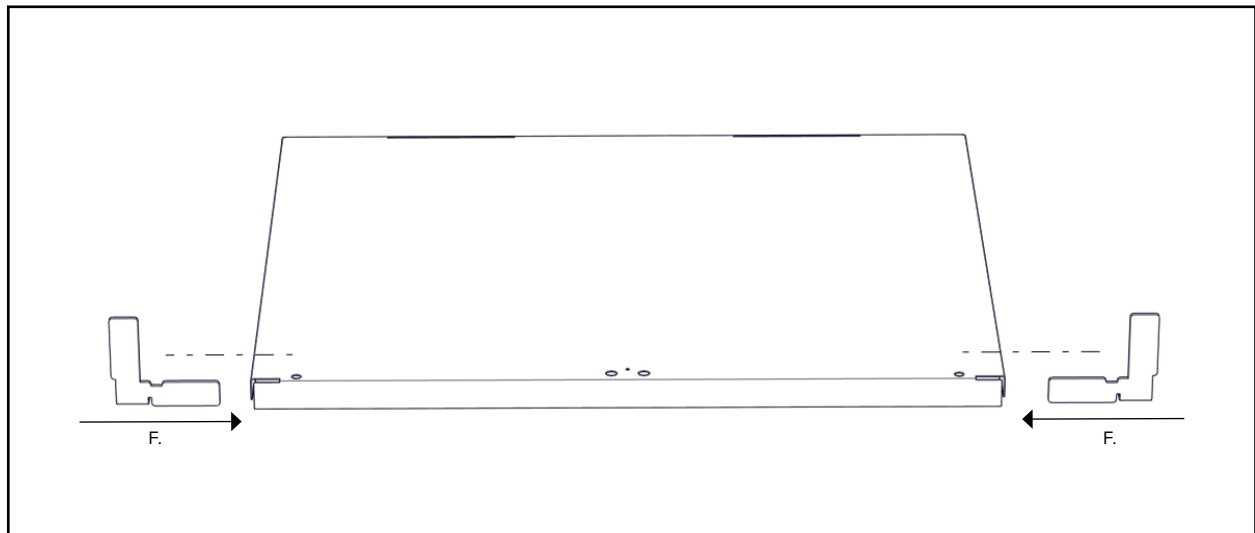
Lower cabinets can be hung in the Standards with Cabinet Standard Mounting Kit, freestanding and movable with Casters, or freestanding with Adjustable Feet.



Hardware included in Lower Cabinet Frame packaging:

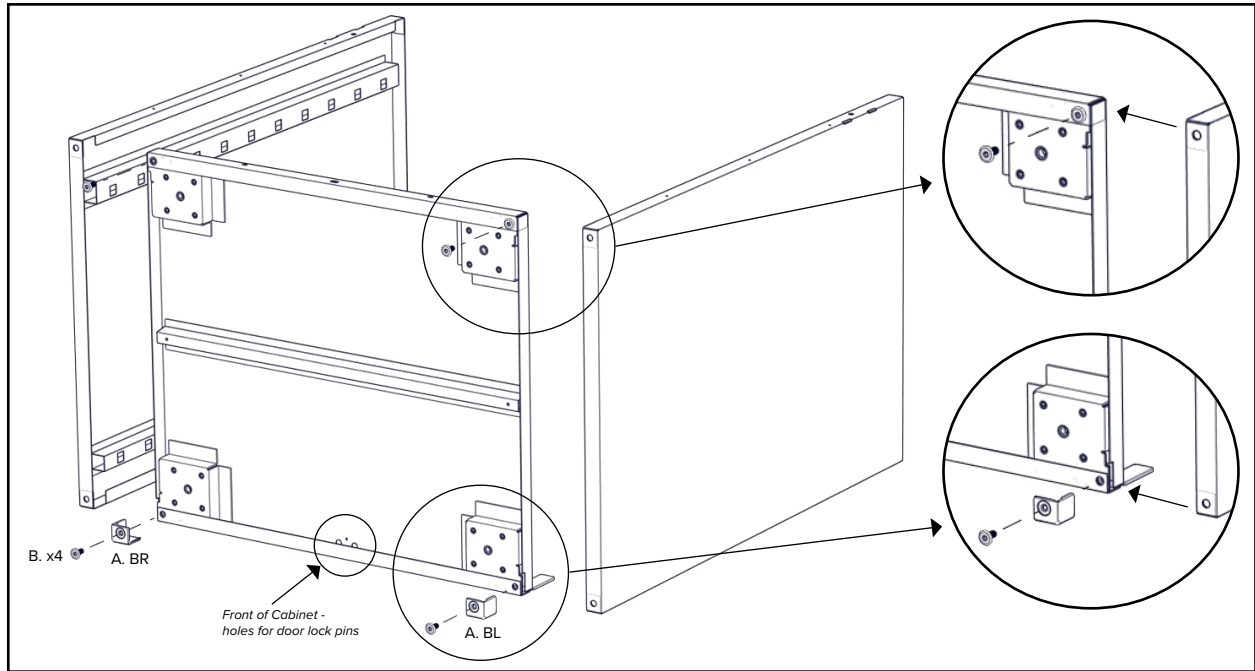
- A. 4x (Corner protectors marked with TL, TR, BL, BR)  E. 2x 
- B. 6x 
- C. 10x 
- D. 4x 
- F. 2x (left and right) 

Assemble the Cabinet

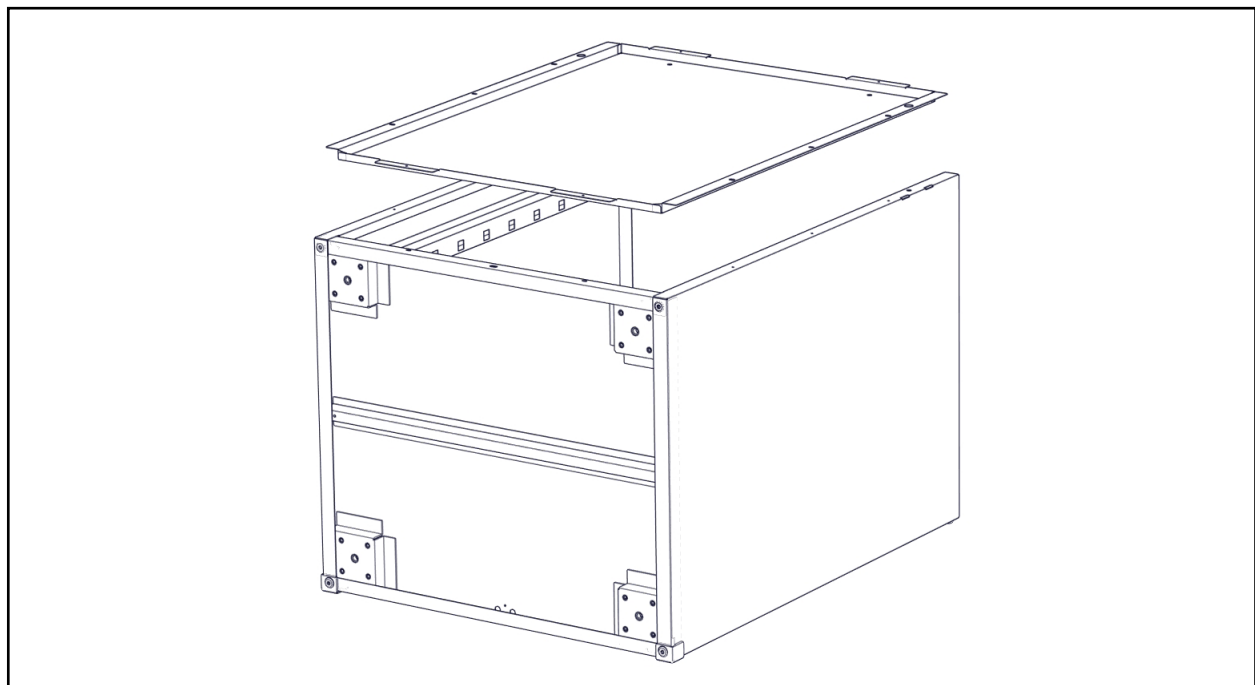


Lower Cabinets

Assemble the Cabinet *continued*



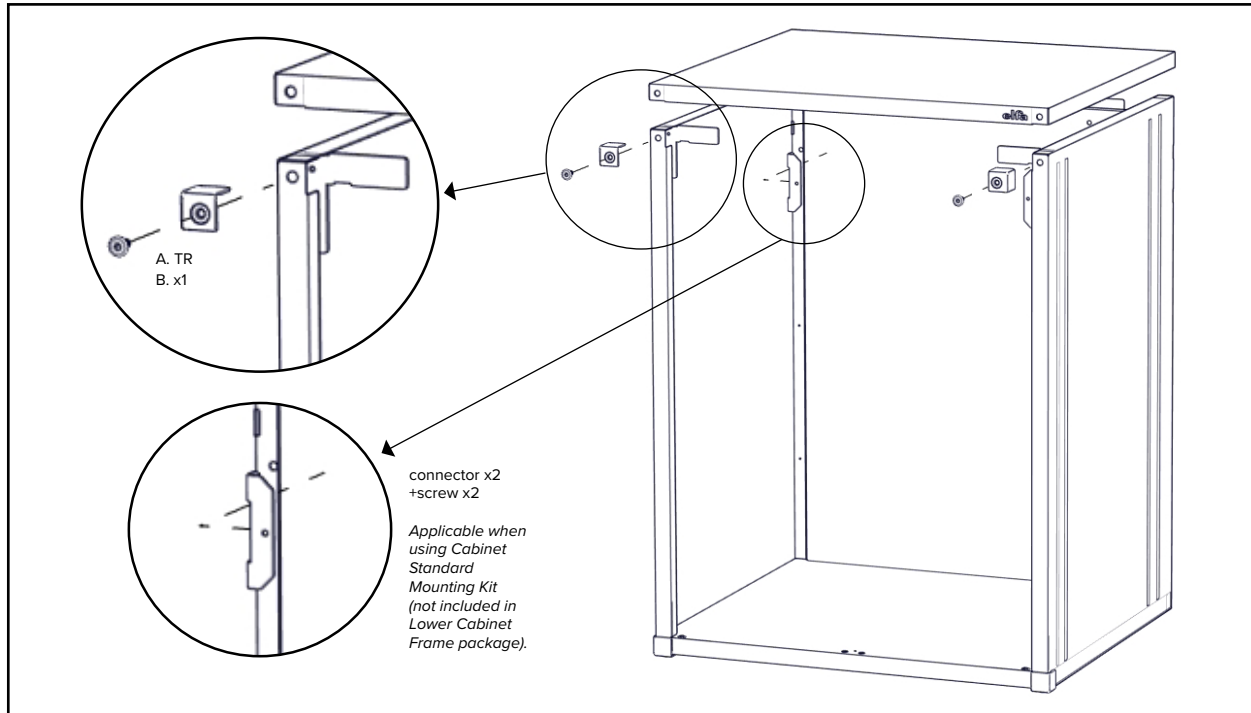
Attach side panels to the base of cabinet with screws. Corner protectors are used on the front corners of the cabinet.



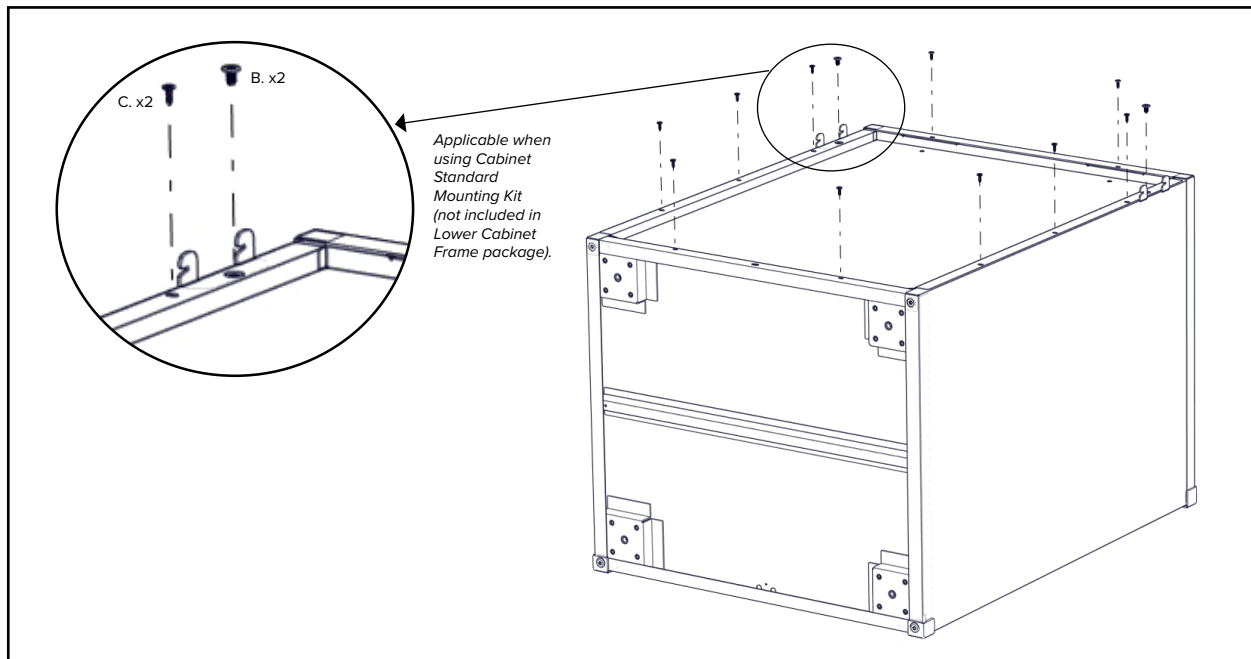
Position Back Panel. If you are hanging your cabinet from Standards, install hangers (F) to the inside of your Cabinet.

Lower Cabinets

Assemble the Cabinet *continued*



The hooks of the Hangers will stick out the back of of the Cabinet. Position the Top of the Cabinet.

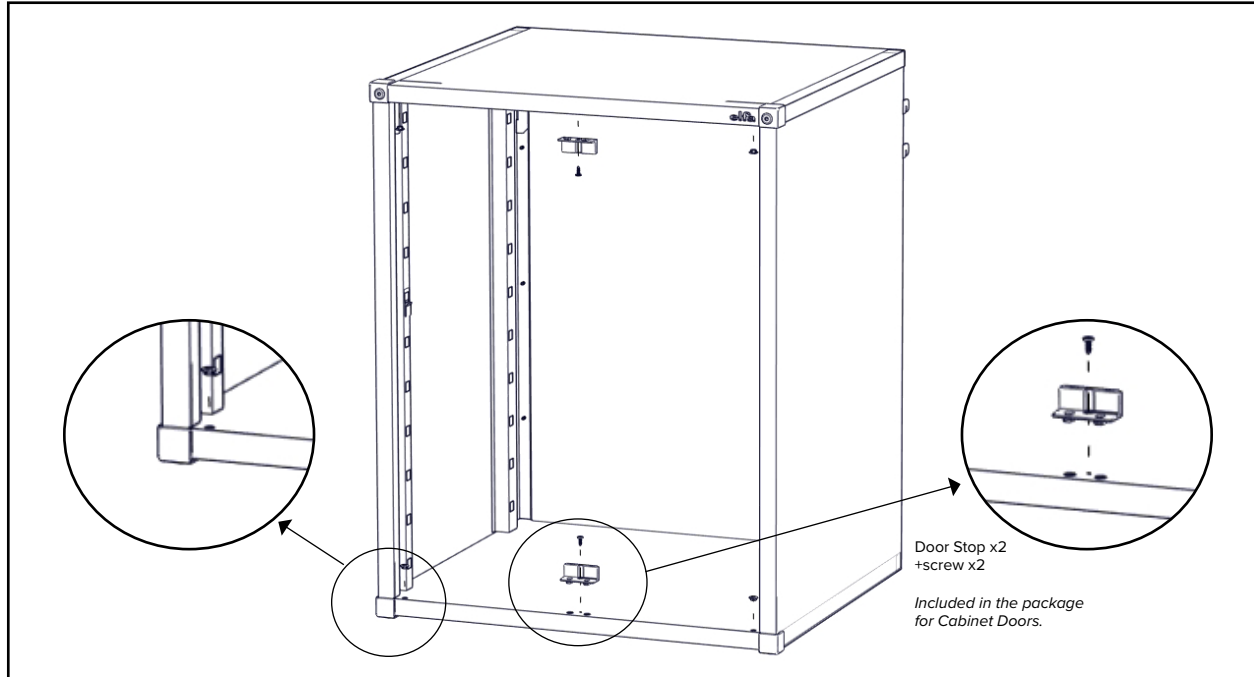


Secure Back Panel and Top with bolts as shown.

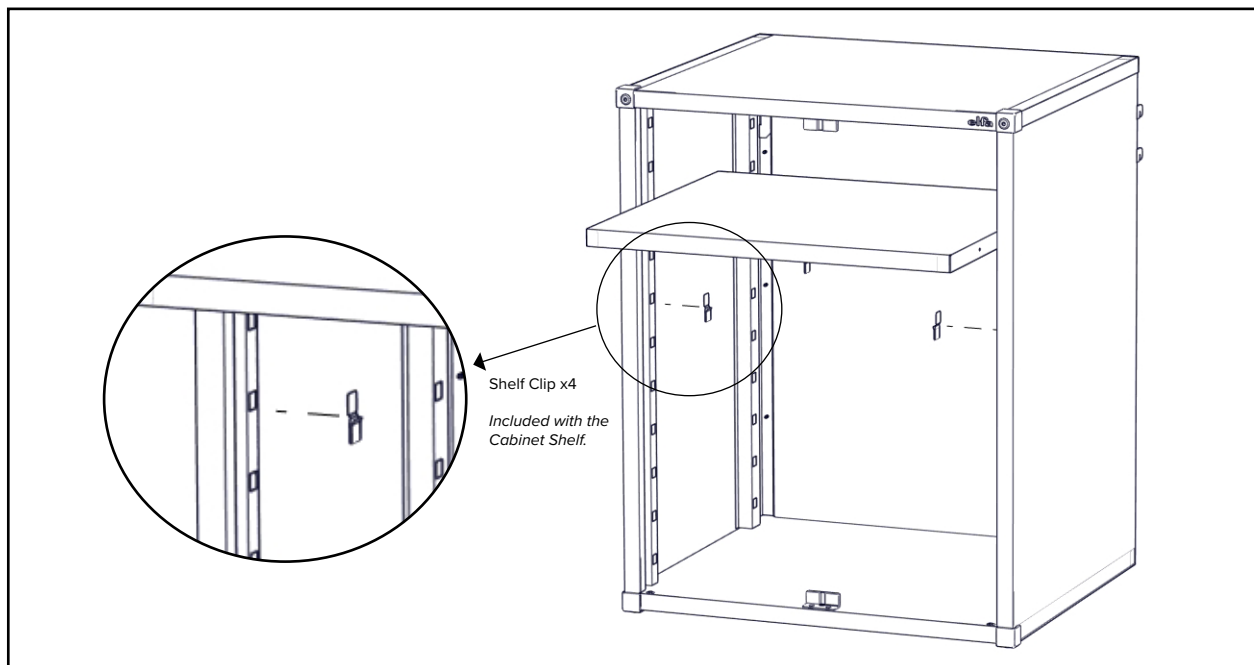
Lower Cabinets

Assemble the Cabinet *continued*

TIP: Cabinets will be lighter to lift if Shelves and Doors are installed after hanging the Cabinets.



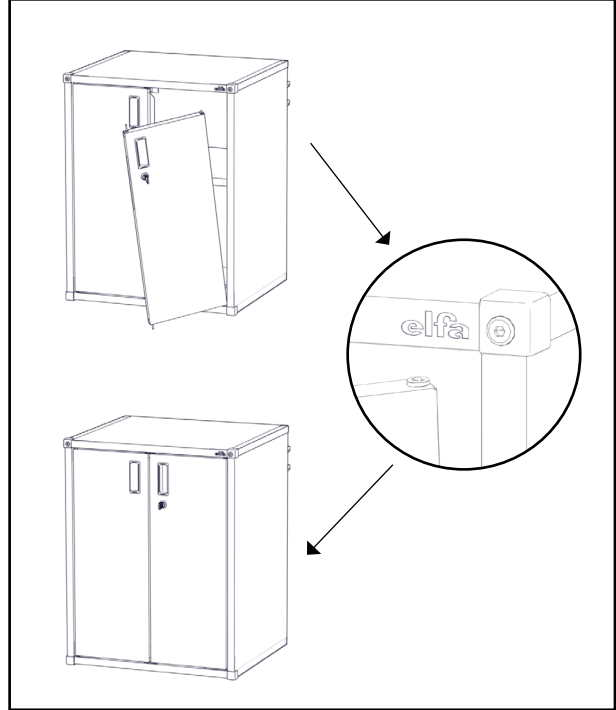
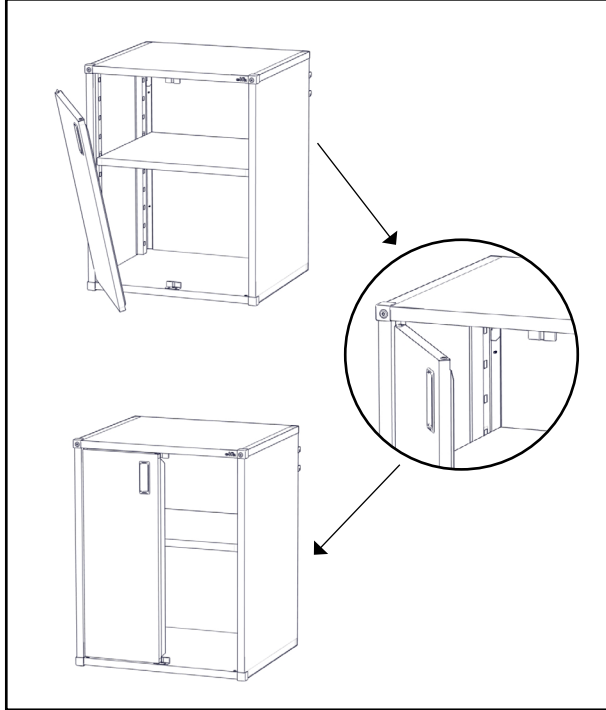
Install Corner Protectors and Door Stops as shown.



Position Shelf Clips and install Shelves.

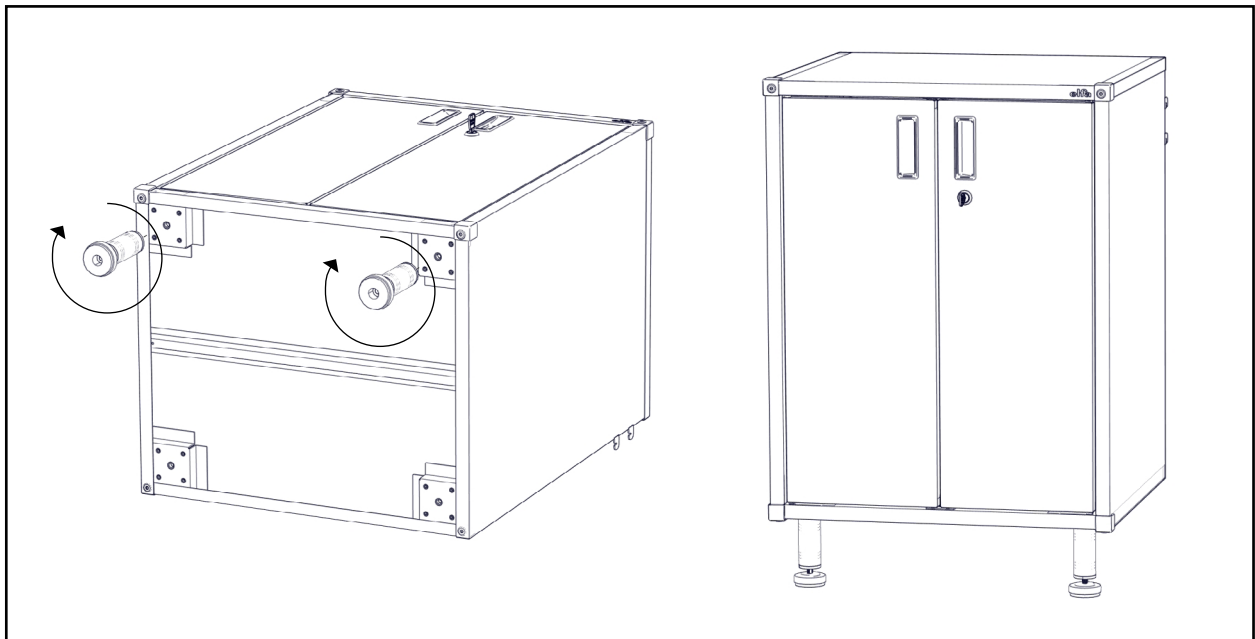
Lower Cabinets

Assemble the Cabinet *continued*



Add Doors as shown.

Add Support Feet

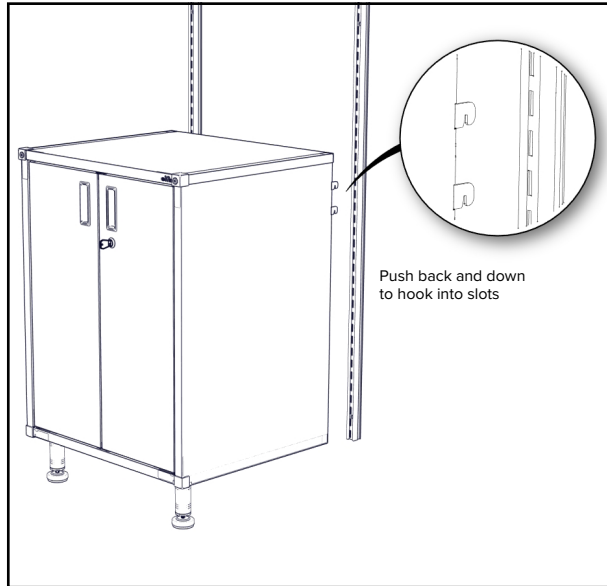


Install the Support Feet (qty 2) included with Cabinet Standard Mounting Kit or install Adjustable Cabinet Feet (qty 4) when not hanging from Standards.

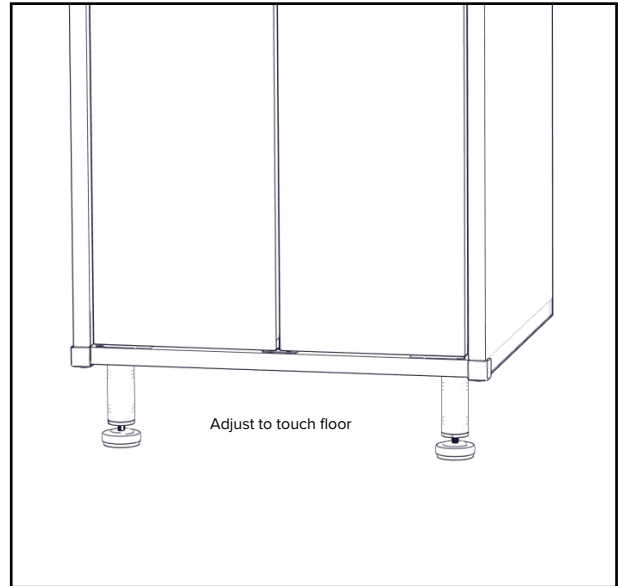
Lower Cabinets

Mount Cabinet in Standards

NOTE: Fully secure Standards to wall before mounting Cabinet.



Lift Cabinet in place and angle Hanging Hooks on back of Cabinet into correct slots on Standards.

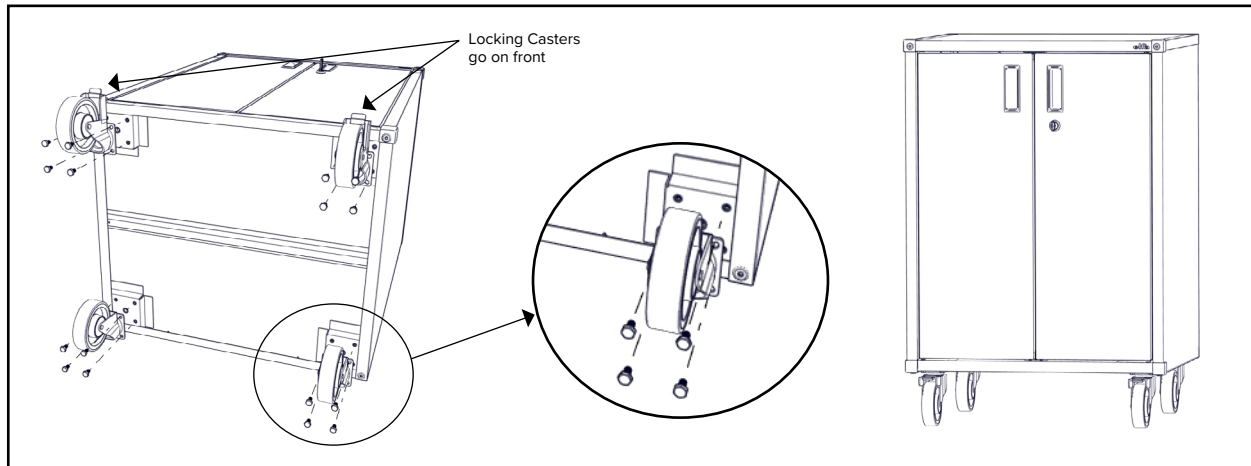


Adjust Support Feet to support the weight of the front of the cabinet on the floor.

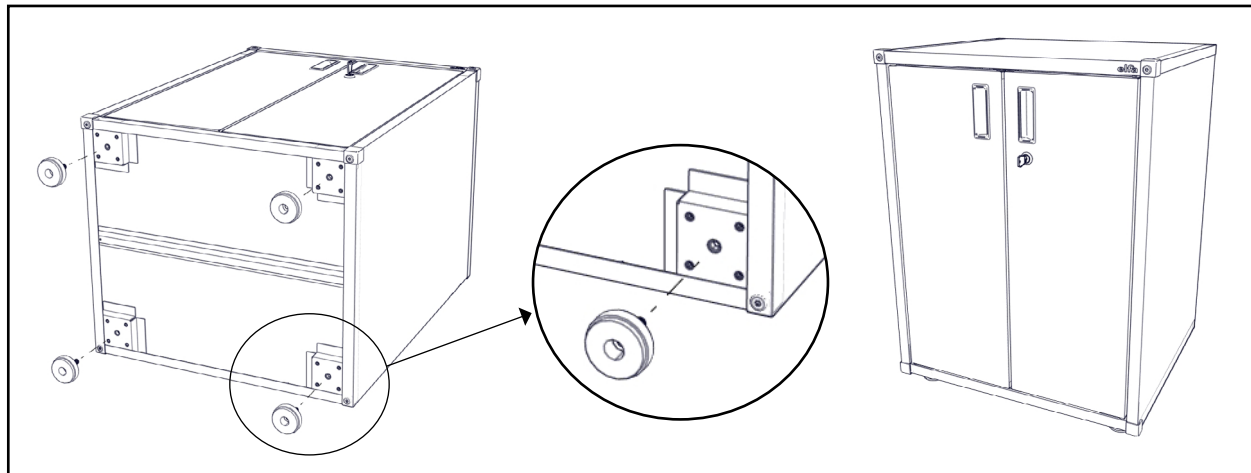
Repeat for additional Cabinets.

Lower Cabinets

Add Cabinet Casters or Adjustable Feet (if applicable) for a Freestanding Solution



Secure Casters with included hardware as shown. Locking Casters go on the front.

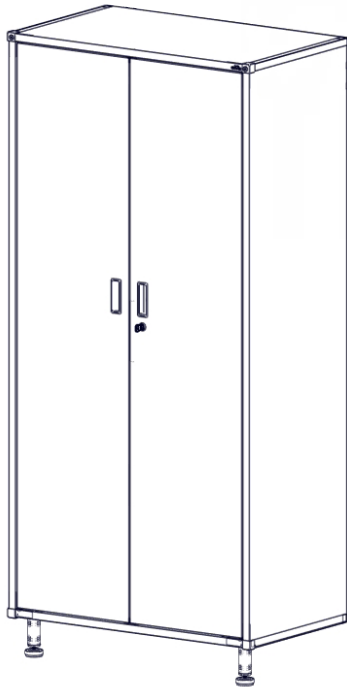


Attach feet to all 4 corners as shown. Adjust to level.








Tall Cabinets

Offering full-length storage, the top of Tall Cabinets must be secured to the wall or hung from Standards.

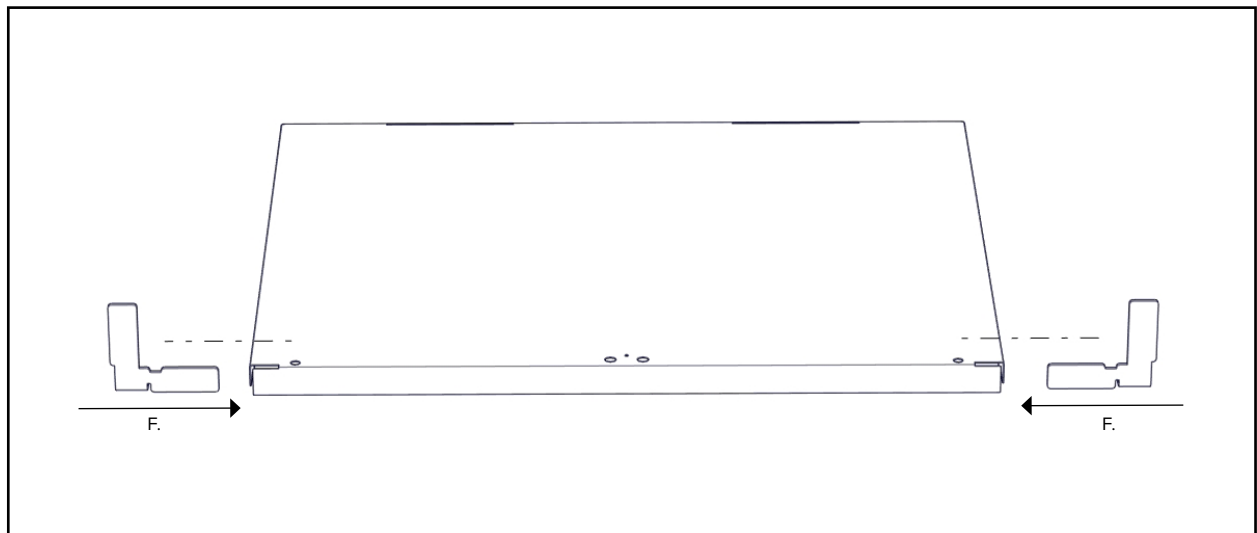
NOTE: Mounting Cabinet in Standards requires two people.



Hardware included in Tall Cabinet Frame packaging:

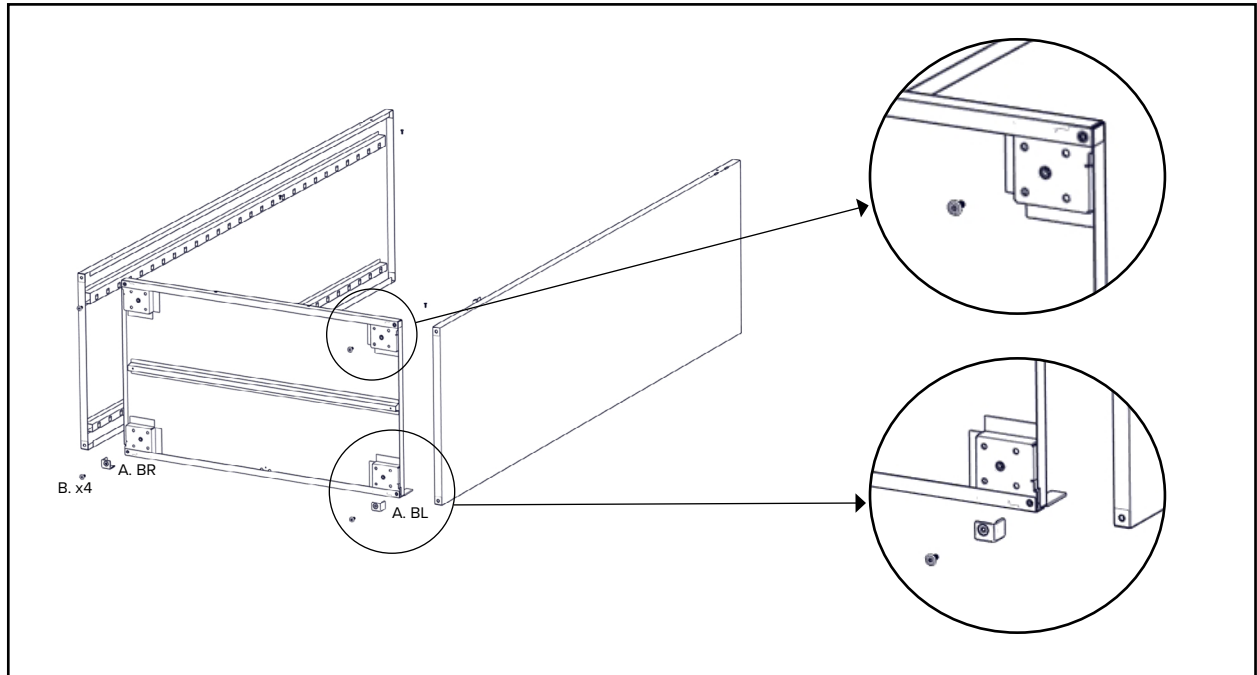
- A. 4x (Corner protectors marked with TL, TR, BL, BR) 
- B. 6x 
- C. 10x 
- D. 4x 
- E. 2x 
- F. 2x (left and right) 
- G. 3+3 

Assemble the Cabinet

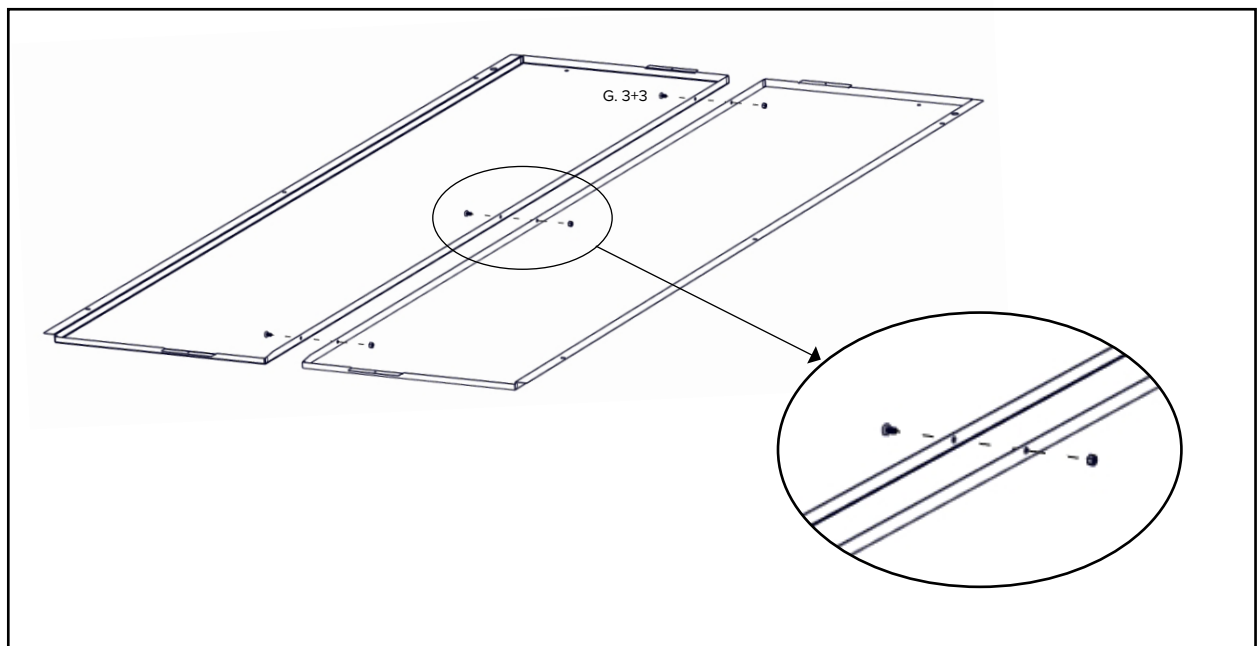


Tall Cabinets

Assemble the Cabinet *continued*



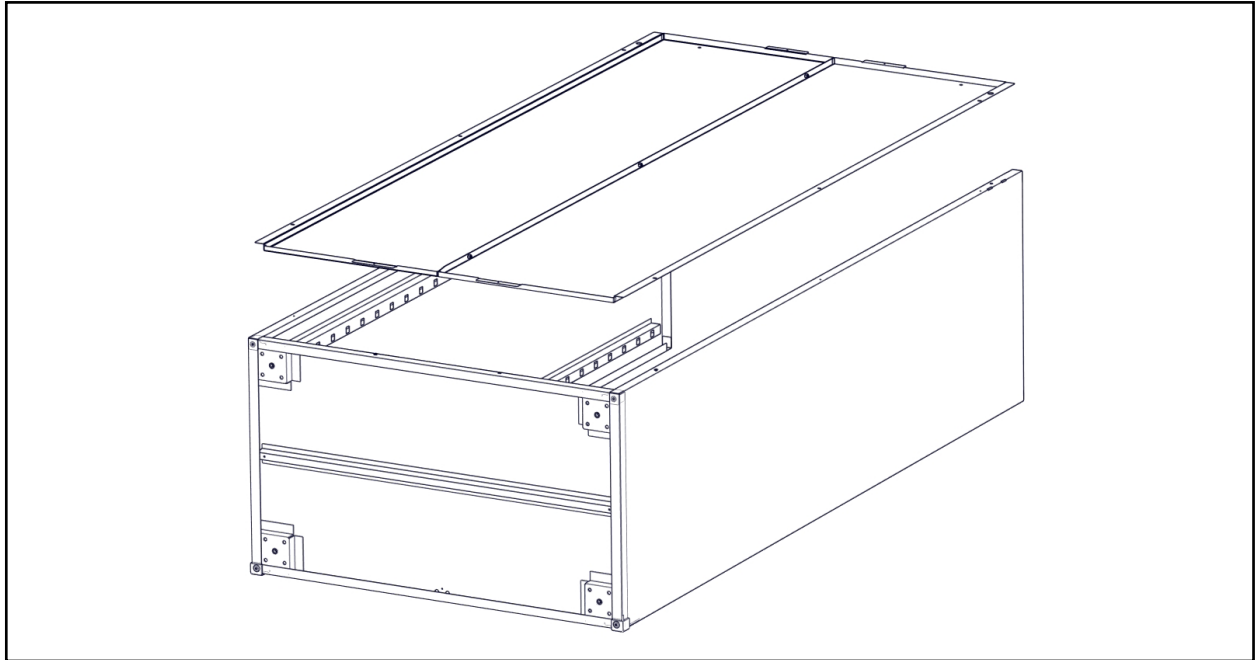
Attach side panels to the base of cabinet with bolts. Corner protectors are used on the front corners of the cabinet.



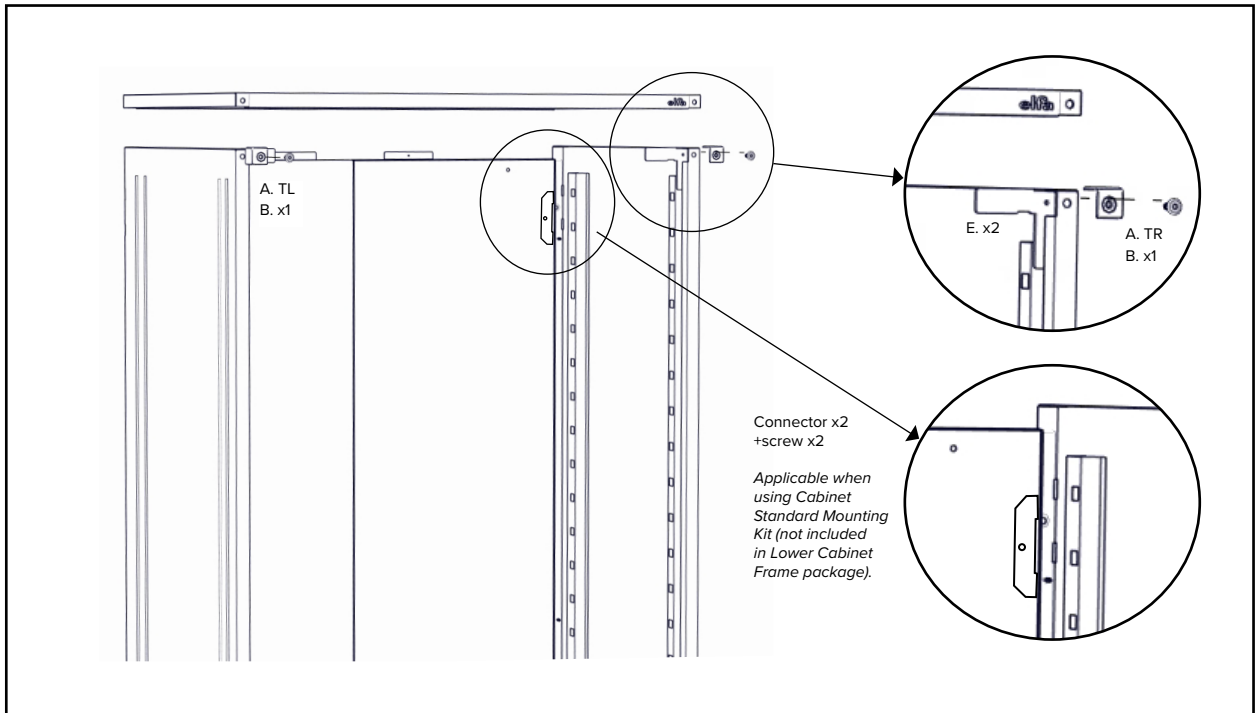
Connect two back panels together as shown.

Tall Cabinets

Assemble the Cabinet *continued*



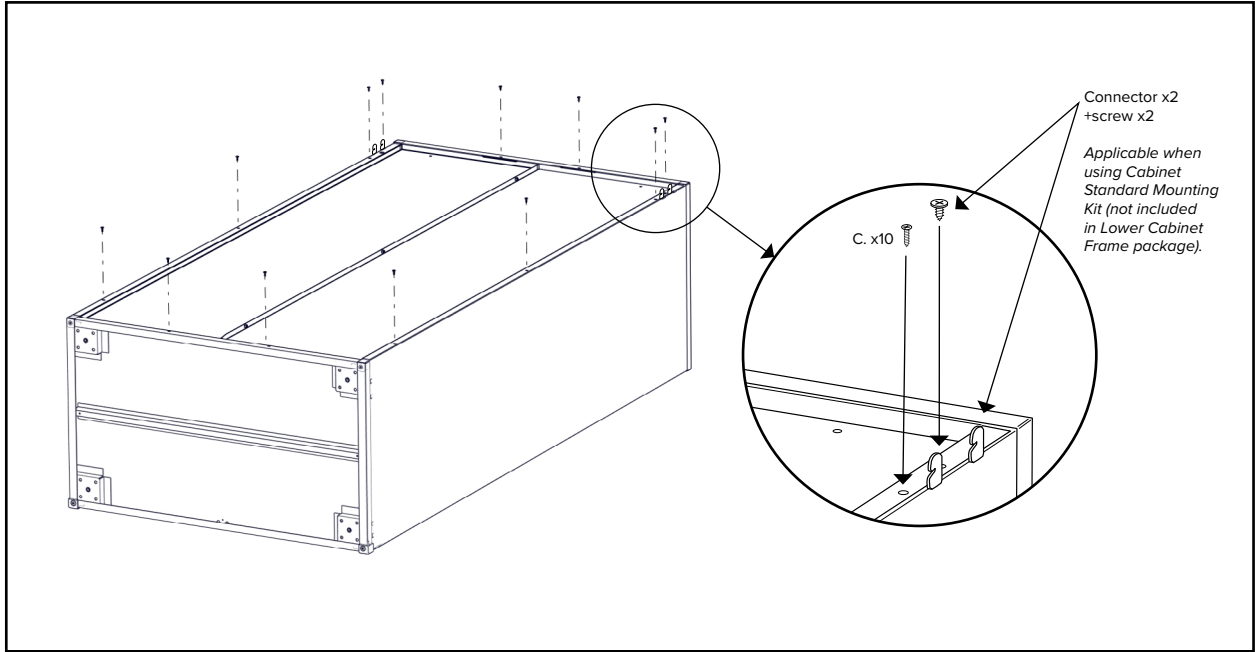
Position Back Panel and secure with bolts.



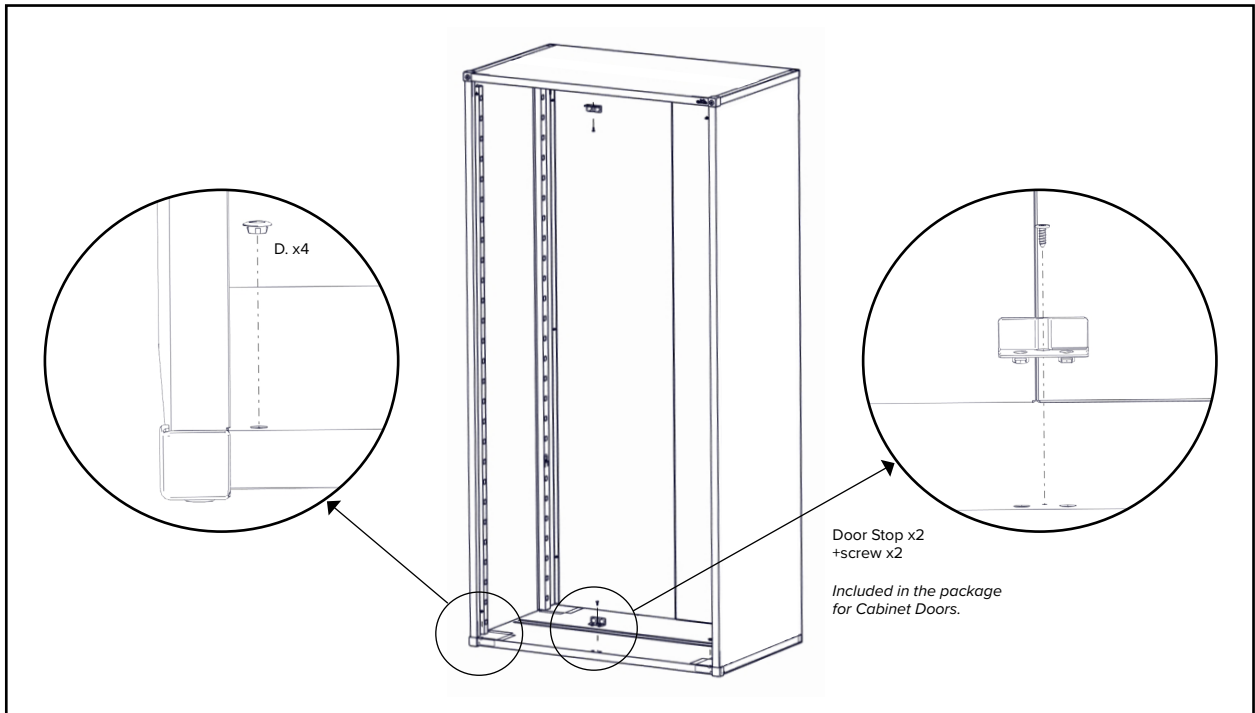
Secure Top with bolts as shown. If hanging from Standards, screw the Standard Connector Hooks to the inside of the Cabinet. The Hooks will stick out the back of the Cabinet.

Tall Cabinets

Assemble the Cabinet *continued*



Secure Back Panel and Top with screws as shown.

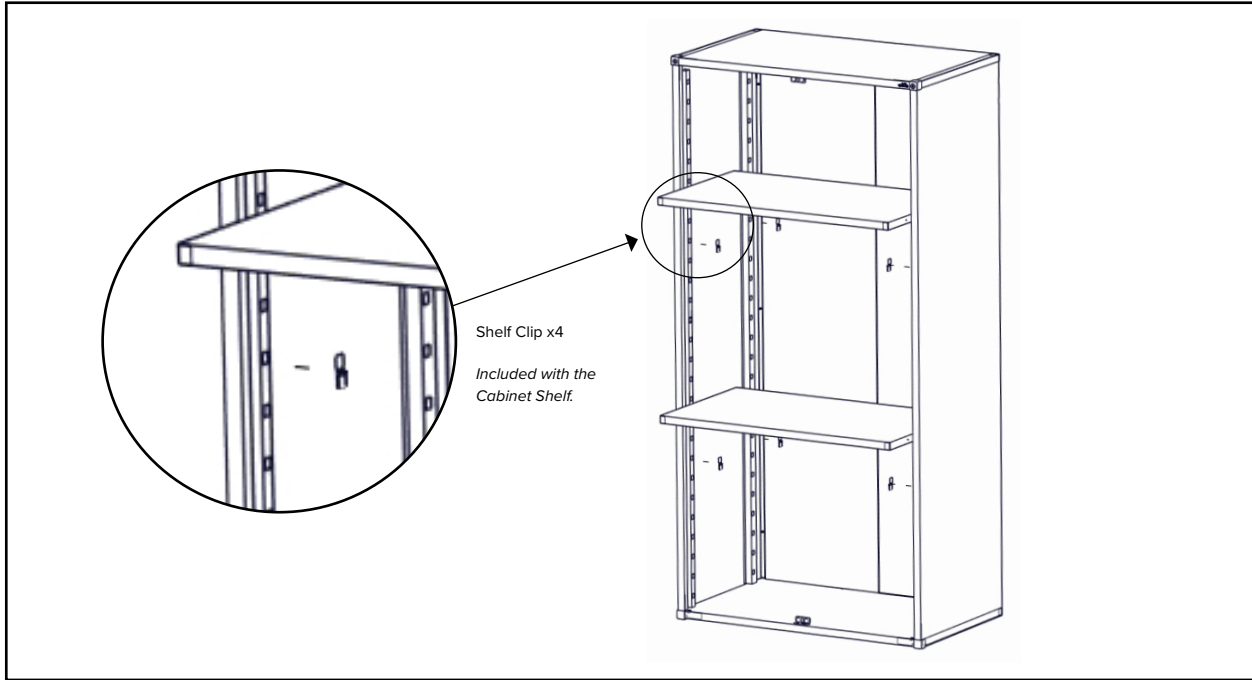


Install Corner Protectors and Door Stops as shown.


Tall Cabinets

Assemble the Cabinet *continued*

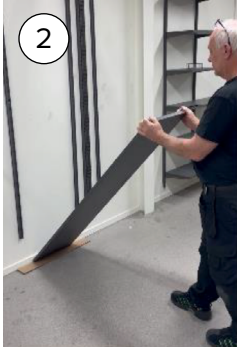
TIP: Cabinets will be lighter to lift if Shelves and Doors are installed after hanging the Cabinets.



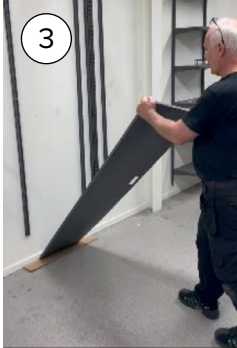
Position Shelf Clips and install Shelves.



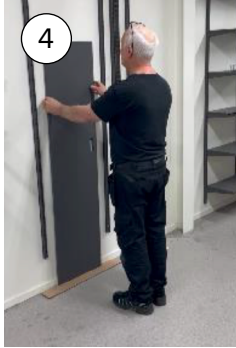
1



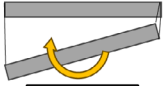
2



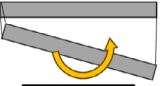
3



4



Left Warp

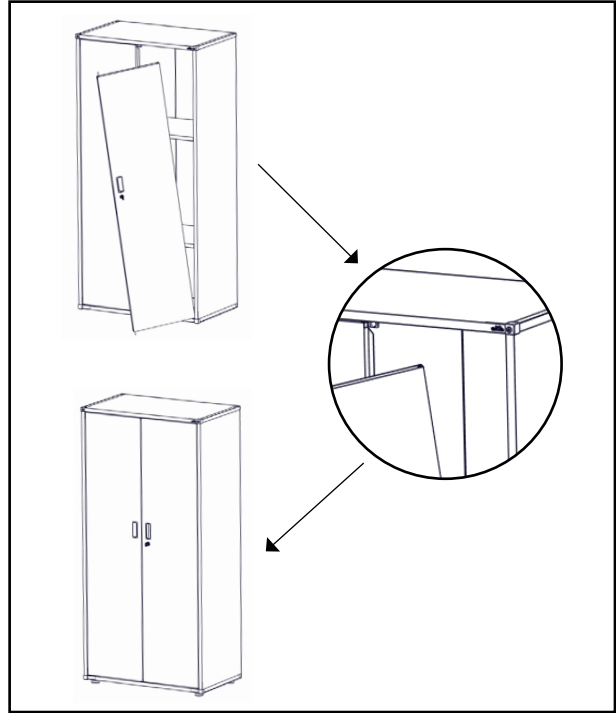
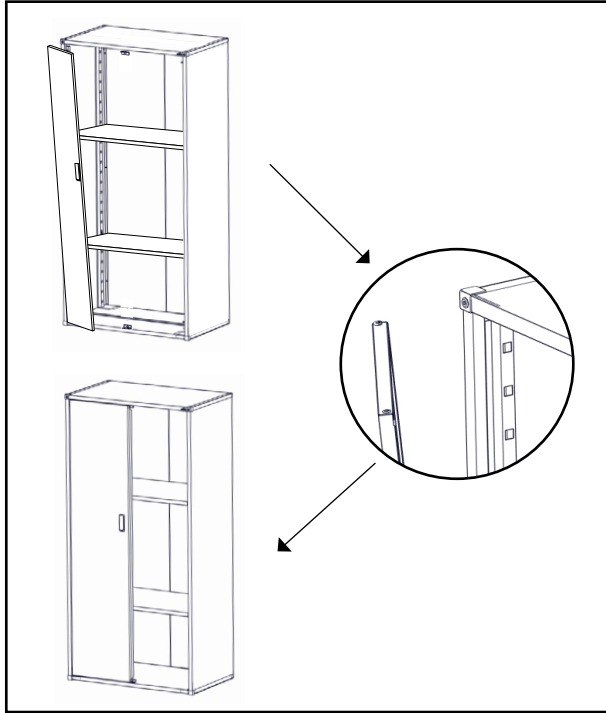


Right Warp

Before installing doors, straighten each if necessary as shown.

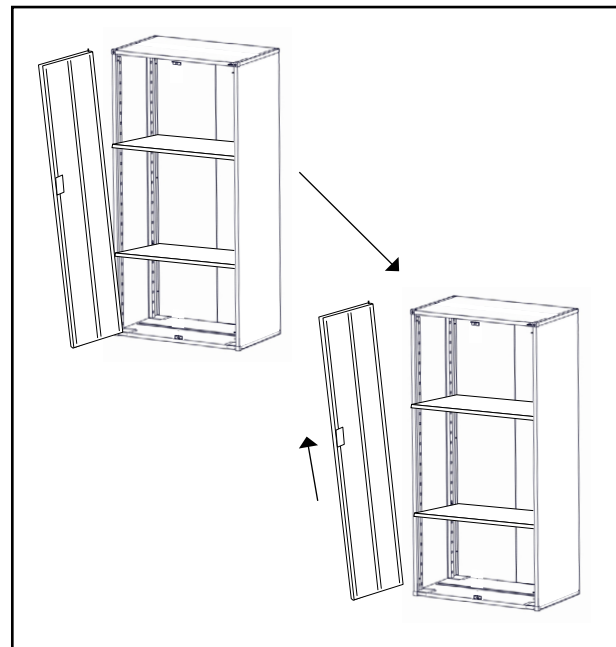
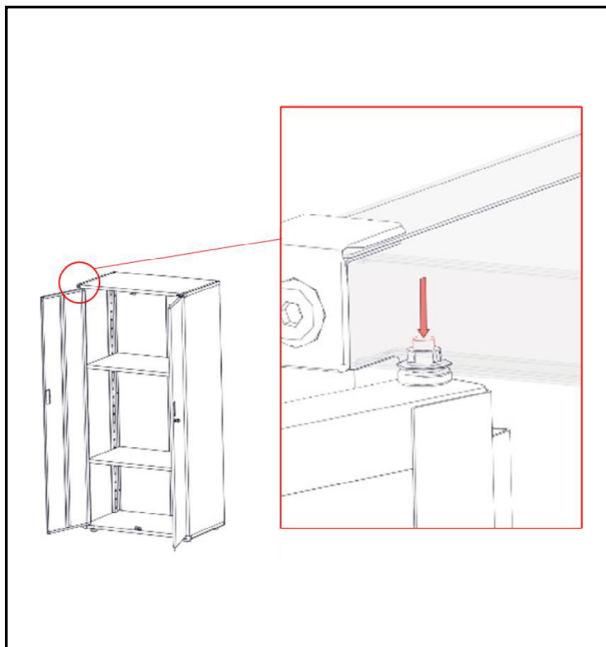
Tall Cabinets

Assemble the Cabinet *continued*



Add Doors as shown.

Removing the Doors (if desired)



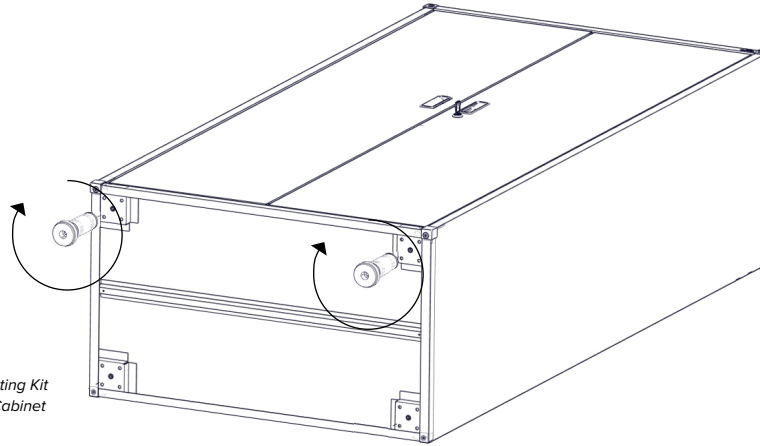
To remove a Door, open it and insert an allen wrench or flat head screwdriver into hole in top of Cabinet, and press down on Door Pin. Pull top of Door out while pressing on Pin. Lift Door up and out to remove it completely.

Tall Cabinets

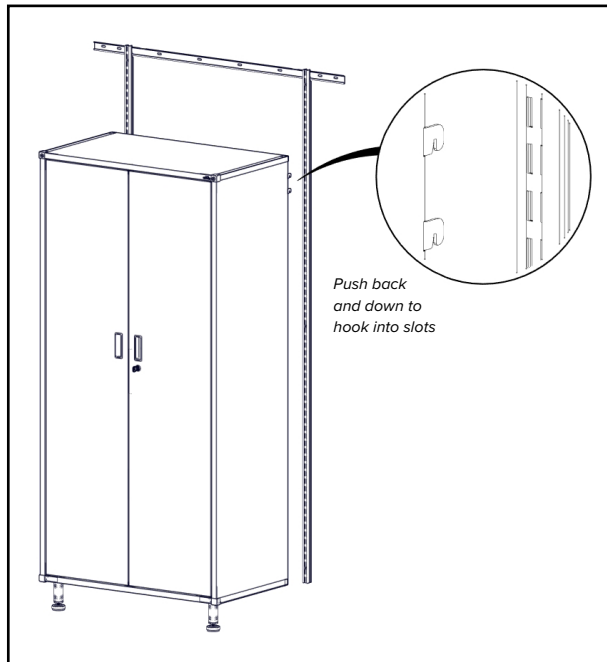
Mounting Tall Cabinet in Standards

NOTE: Fully secure Standards to wall before mounting Cabinet.

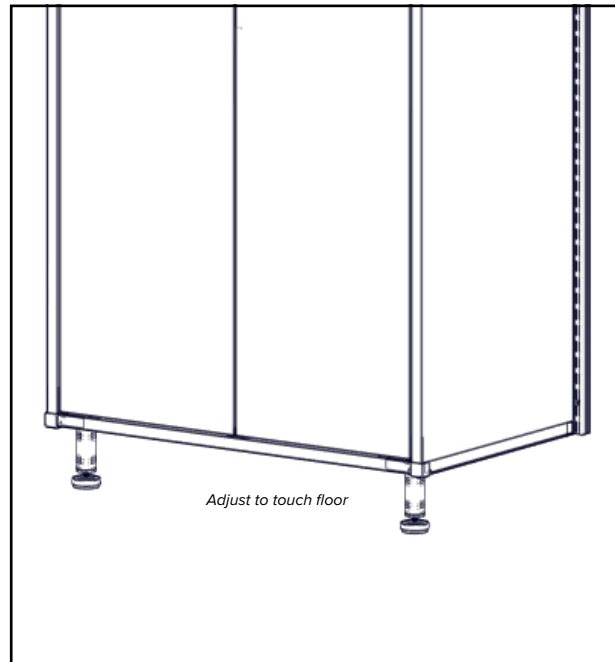
IMPORTANT: This is not a freestanding Cabinet. The tops of Tall Cabinets must be secured to the wall or hung on Standards with Standard Hooks.



Install the Support Feet included with Cabinet Standard Mounting Kit.



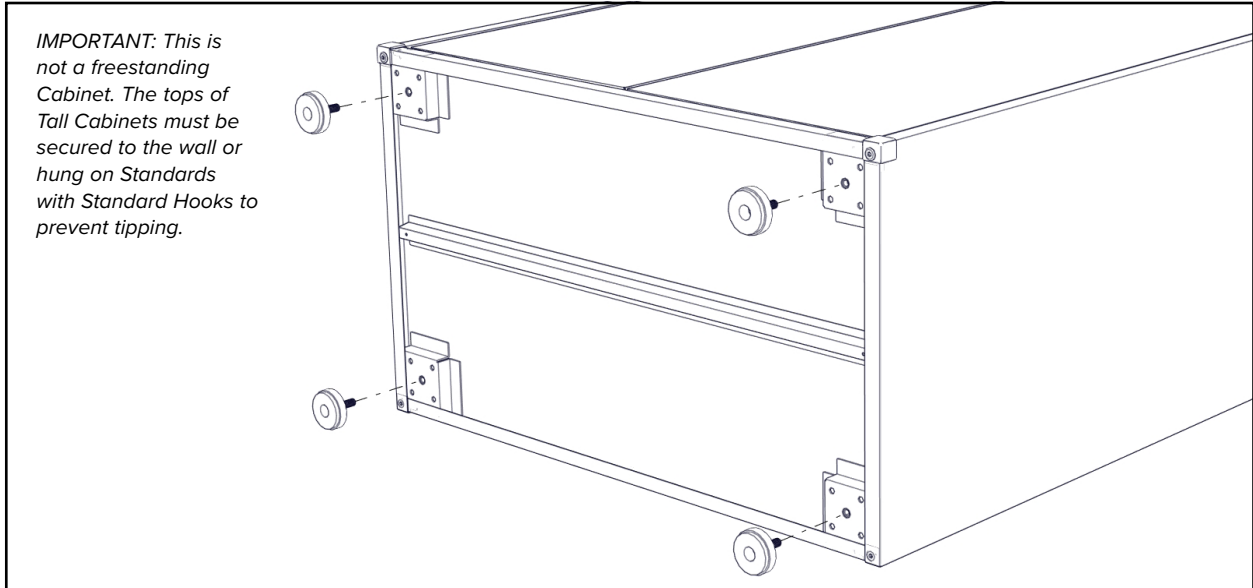
With the help of another person, lift Cabinet in place and angle Hanging Hooks on back of Cabinet into correct slots on Standards.



Adjust Support Feet to support the weight of the front of the cabinet on the floor.

Tall Cabinets

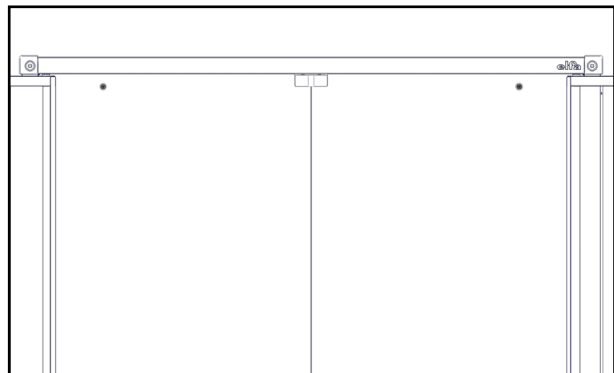
Mounting Tall Cabinet to Wall



Attach Adjustable Feet (sold separately) to all 4 corners as shown. Stand upright and adjust to level.



With the help of another person, position Tall Cabinet on the wall in desired location. Use a pencil to mark the holes inside the cabinet. Pull cabinet away from the wall.

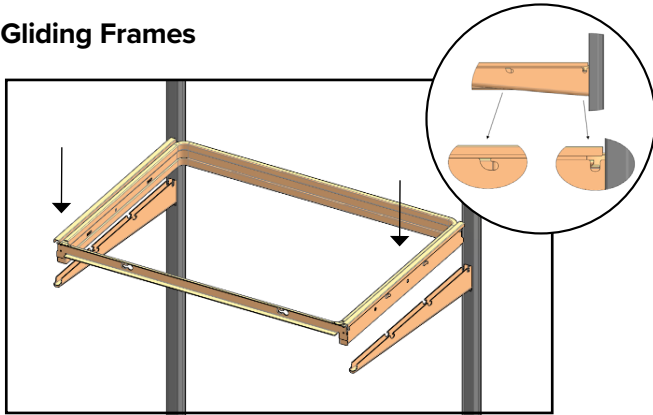


Then drill pilot holes with a 1/8" / 3mm bit. Enlarge holes with no stud with a 3/8" / 10mm bit. Place drywall anchors. Reposition Cabinet, line up holes and secure with appropriate hardware.

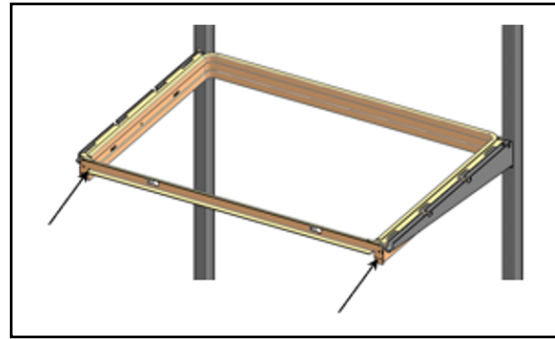
Drawers

NOTE: Install Drawer Glides from bottom of solution up. Add Mesh Drawers as you go.

Install Gliding Frames

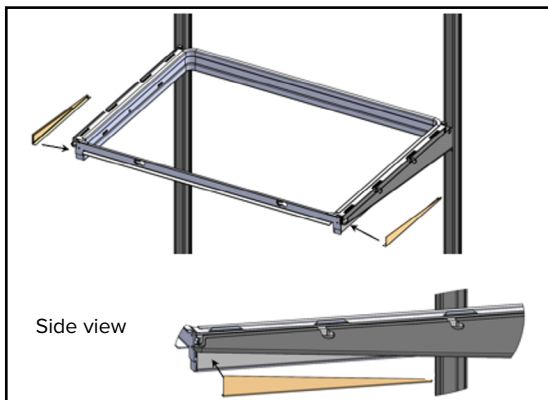


Position Gliding Frame over the Brackets with tabs over notches. Ensure that the locking tabs are in the correct position. (See closeup illustration.) Push down firmly until you hear a click.

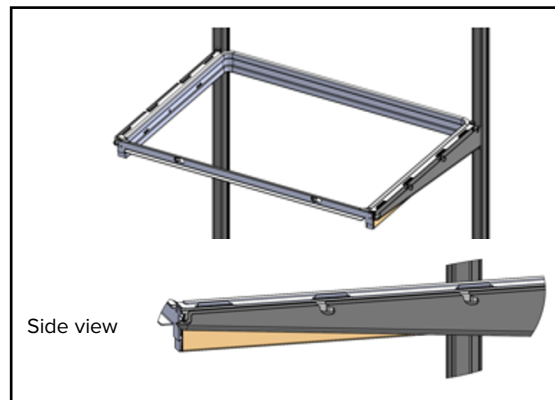


Push back until you hear a second click.

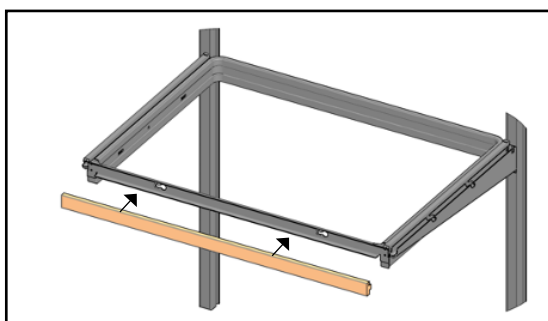
Attach Slide Covers



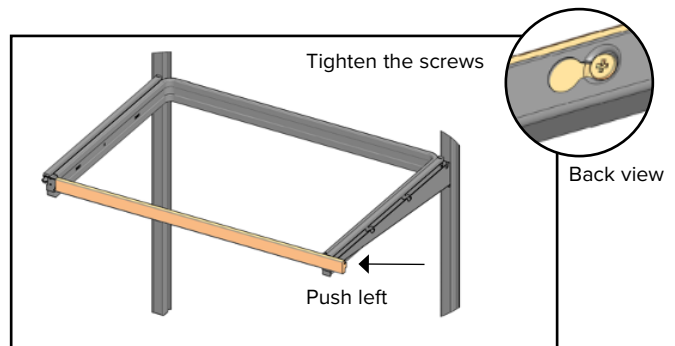
Determine left and right Slide Covers. Press into place.



Attach Drawer Trim



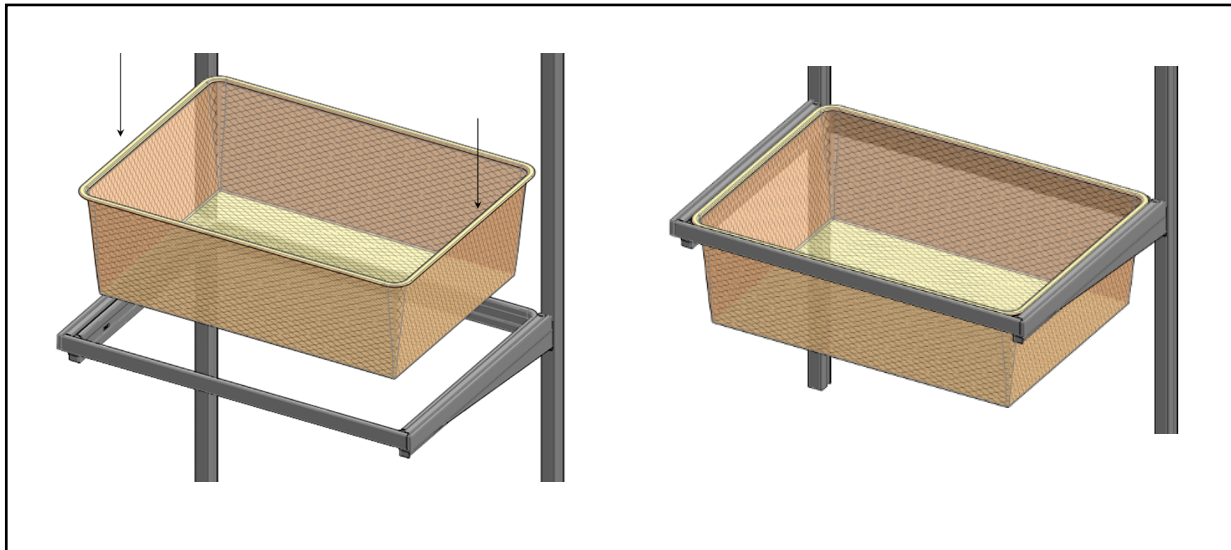
Position screw in Drawer Trim in hole on Gliding Frame.



Push left to lock Trim in place. Tighten screws.

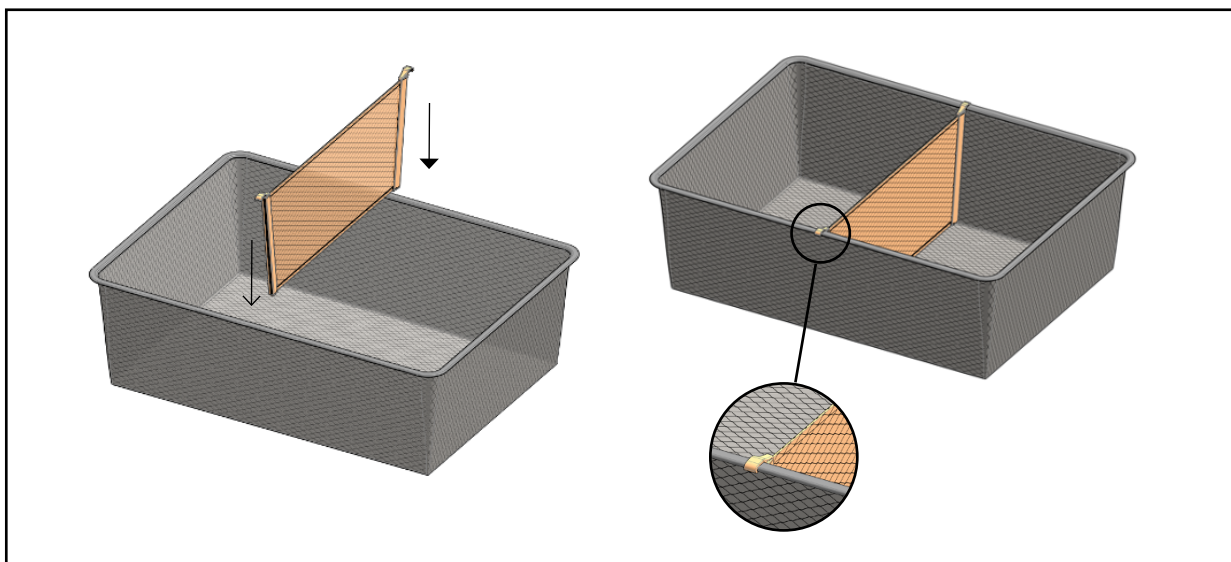
Drawers

Insert Mesh Drawers



Position Mesh Drawer above Gliding Frame and drop into place. Drop in the drawers as you go, installing from the bottom up.












Insert Mesh Drawer Dividers (if applicable)



Position Mesh Drawer Divider above Drawer and drop into place.

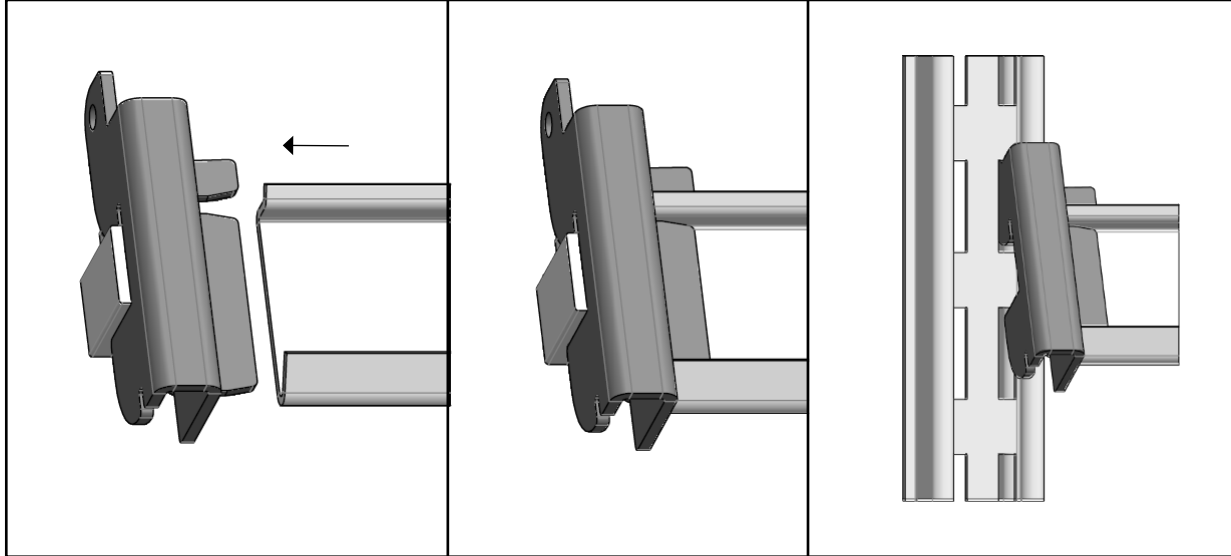
Track Hooks

Can be locked onto a Track or mounted directly to a wall stud.

<p>Track Hook</p> 	<p>Golf Bag Holder</p> 	<p>Horizontal Bike Hook</p> 
<p>Vertical Bike Hook</p> 	<p>J-Hook</p> 	<p>Large Track Tool Holder</p> 
<p>Small Track Tool Holder</p> 	<p>Track Mesh Basket</p> 	<p>Large Square Mesh Storage Bag</p> 
<p>Straight Hook</p> 	<p>Wide L-Hook</p> 	

Track Hooks

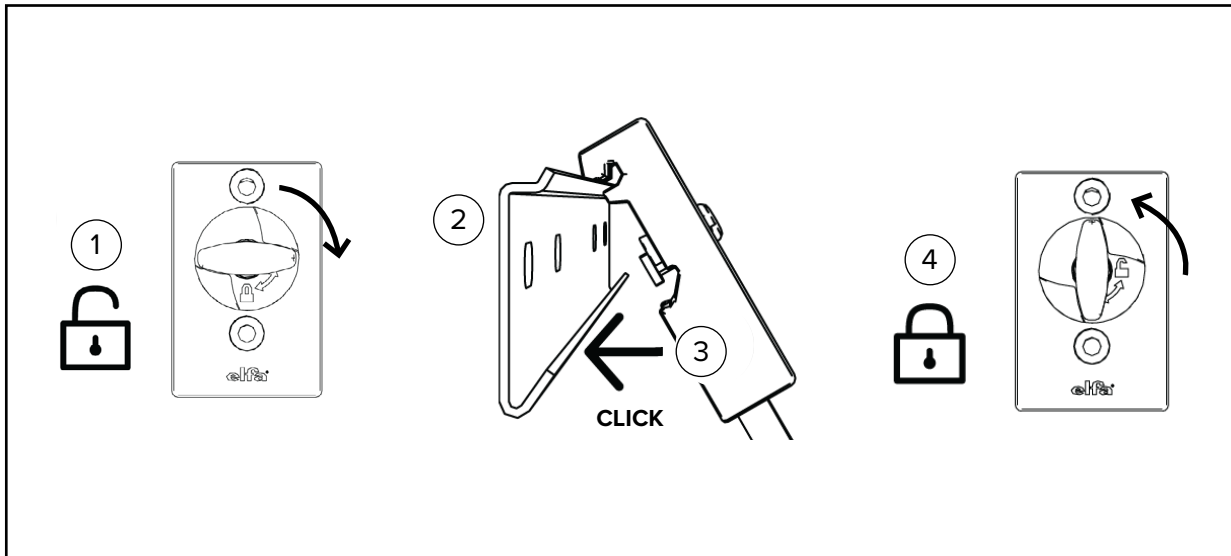
Hang Track Between Standards



Push Standard Adapters onto both ends of Track. Insert Standard Adapter hooks into Standard slots.

NOTE: If hanging a Track more than 24" / 607mm long, screw the Track into the wall.

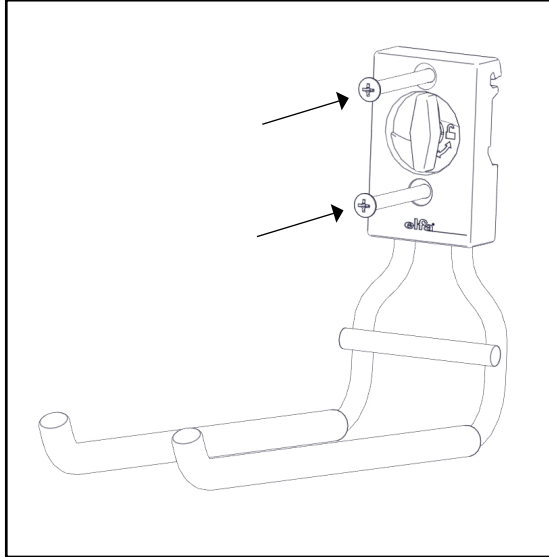
Mounting Track Hooks to Track



Track Hooks all work the same way. Turn the lock to open. Hook over top edge of Track and pull down to "click" into place. Turn button to lock.

Track Hooks

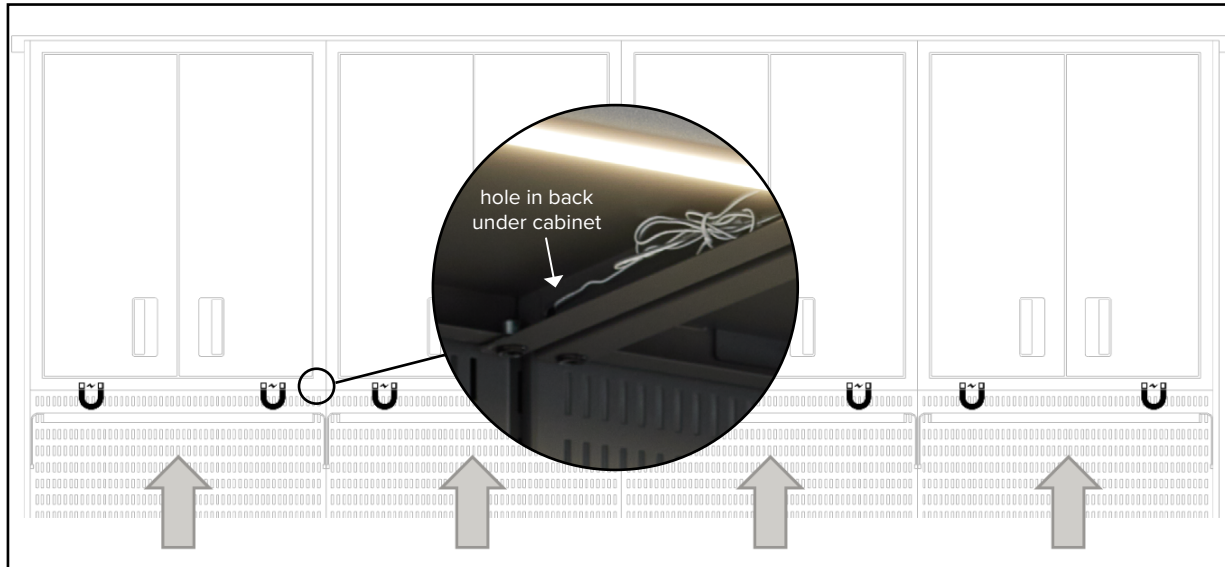
Mounting Track Hook to Wall Stud



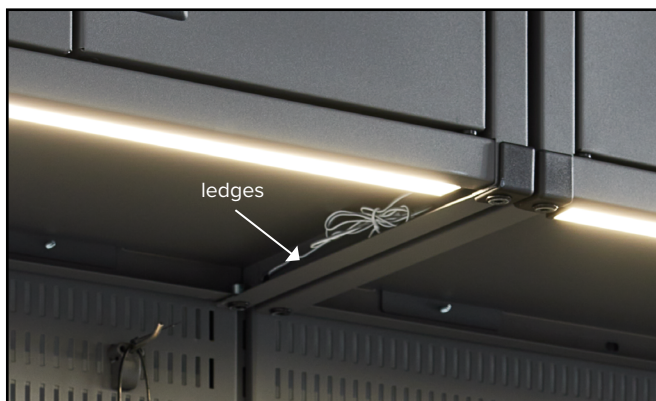
Find a stud in area you want to mount Hook.
Position Hook on wall. Use a drill and wood
screws to mount Hook to stud.

LED Lighting

Mounting LED Lighting Fixtures Under an Upper Cabinet

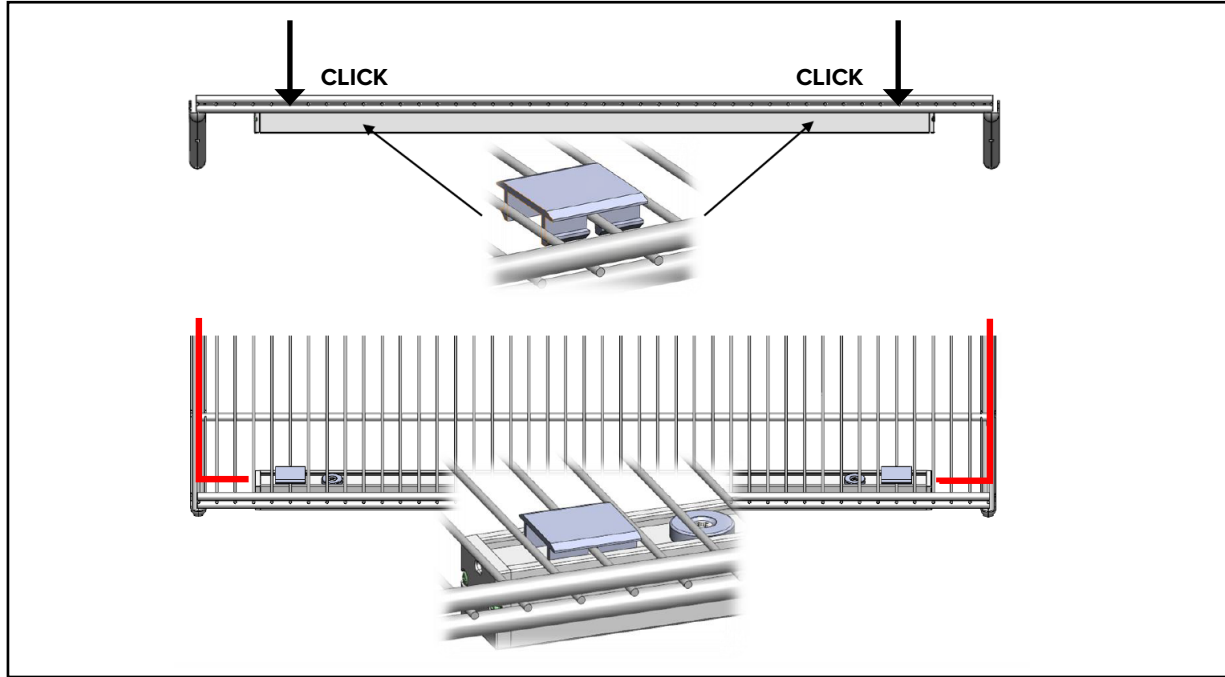


LED Fixtures attach to the underside of the Upper Cabinets with strong magnets. Run the cable coming from the Lighting Fixture back along the ledge under the Cabinet toward the back wall. Poke the end of the Lighting Fixture Cable through the hole in the lower corner of the Cabinet. Connect the connector end to the connector end of the Lighting Cable coming from the Standard. If you have Cabinets mounted next to each other, Lighting Fixtures can be connected one to another, daisy-chain style. Position Lighting Cables along the ledges under the Cabinets and pull Lighting Cables through the holes to the next Cabinet.



LED Lighting

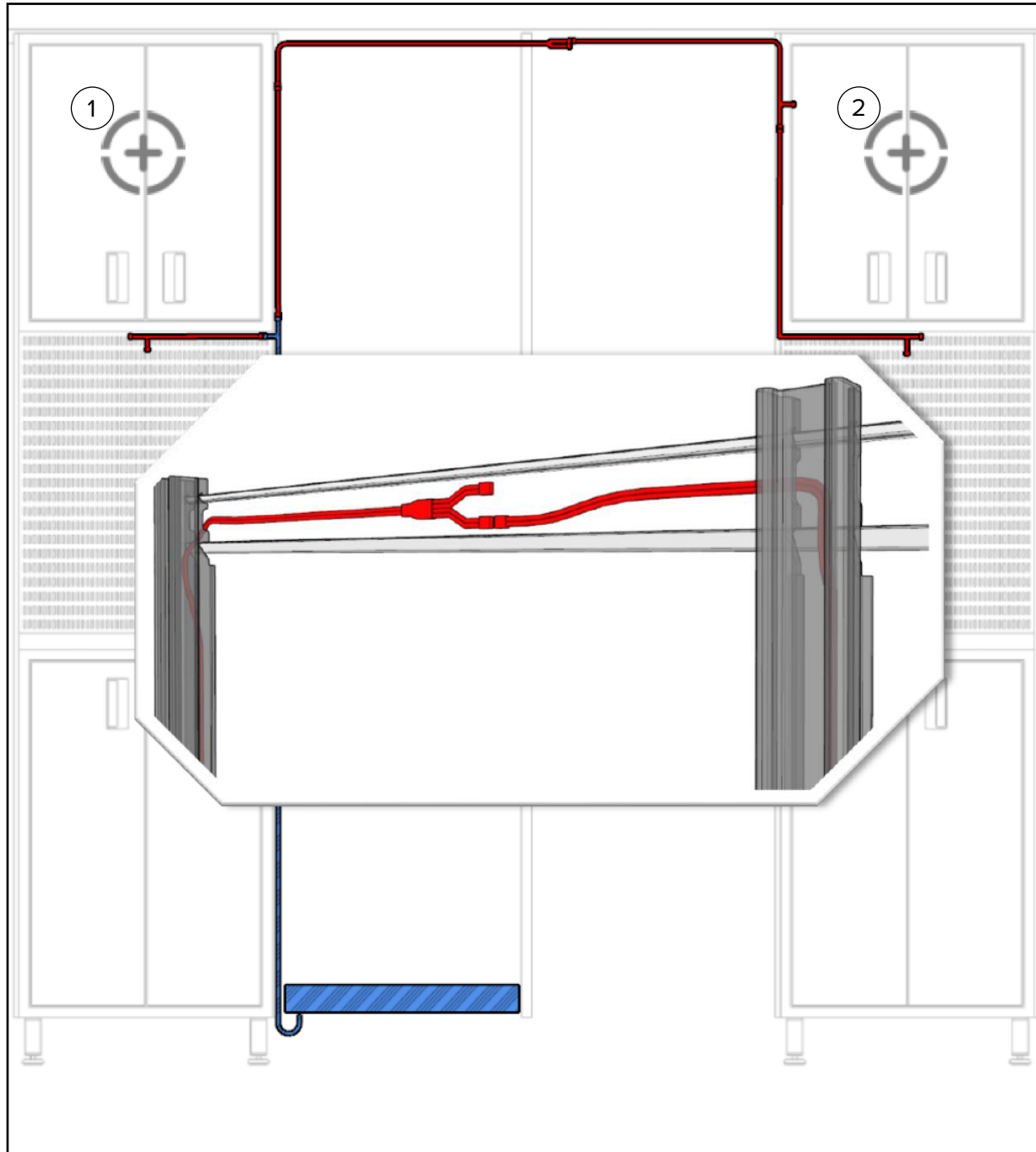
Mounting LED Fixtures under a Wire Shelf



Position the included Mounting Clip over the wire as shown. Press into place until you hear a “click.” Pull Light Fixture cables over to brackets and connect to Lighting Cable in Standard.

LED Lighting

Connection of LED Fixtures across a Top Track

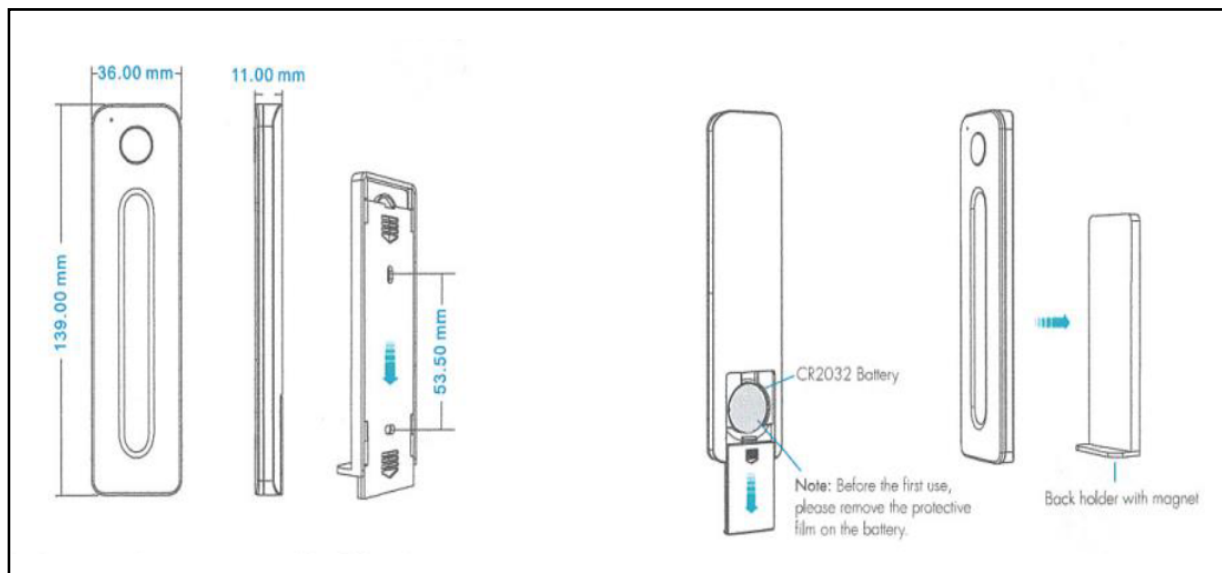


Multiple Lighting Fixtures can be connected even if Cabinets are not mounted next to each other. Connect Lighting Cables together and run across Top Track, connecting to Lighting Cable in appropriate Standard.

LED Lighting

Pairing Remote

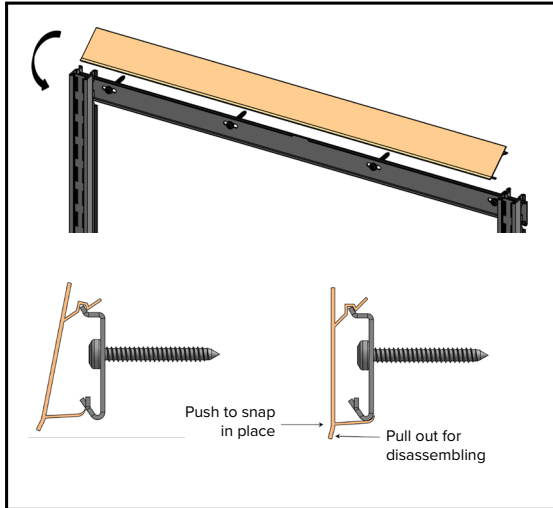
Remote can be adhered to a metal surface with magnets on the back or use included screws to mount to a wall.



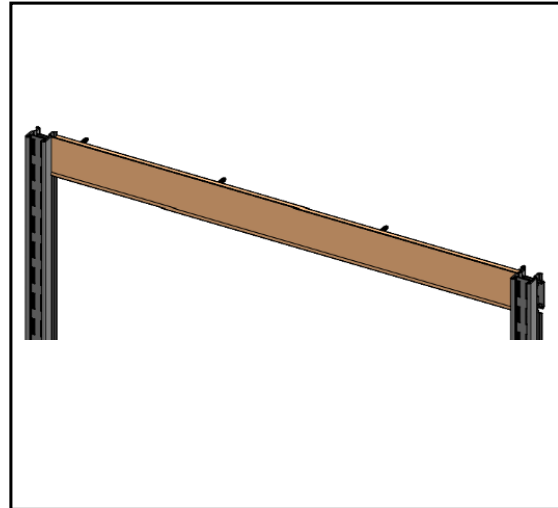
Pairing instructions are included in the remote packaging.

Finishing

Attach Top Track Covers

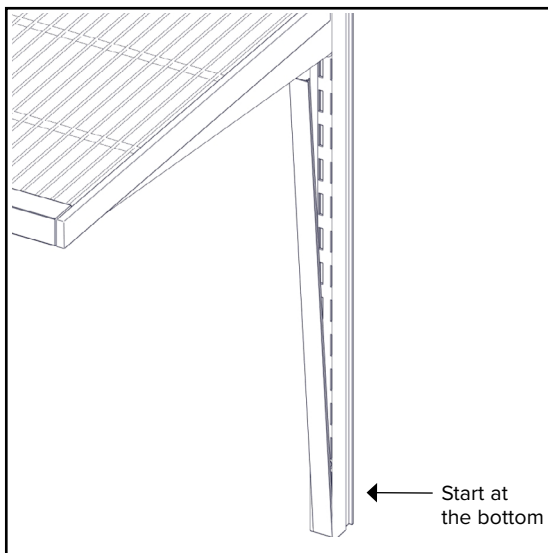


Start with the long pieces first. Cut Top Track Cover to size using a knife. Place top of Top Track Cover on top of the Top Track.

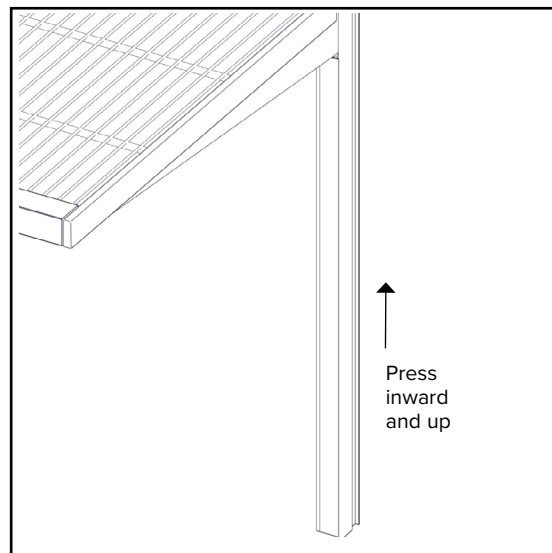


Push the bottom part of the Top Track Cover over the bottom of the Top Track. You may need a bit of force to secure the Top Track Cover.

Attach Standard Covers



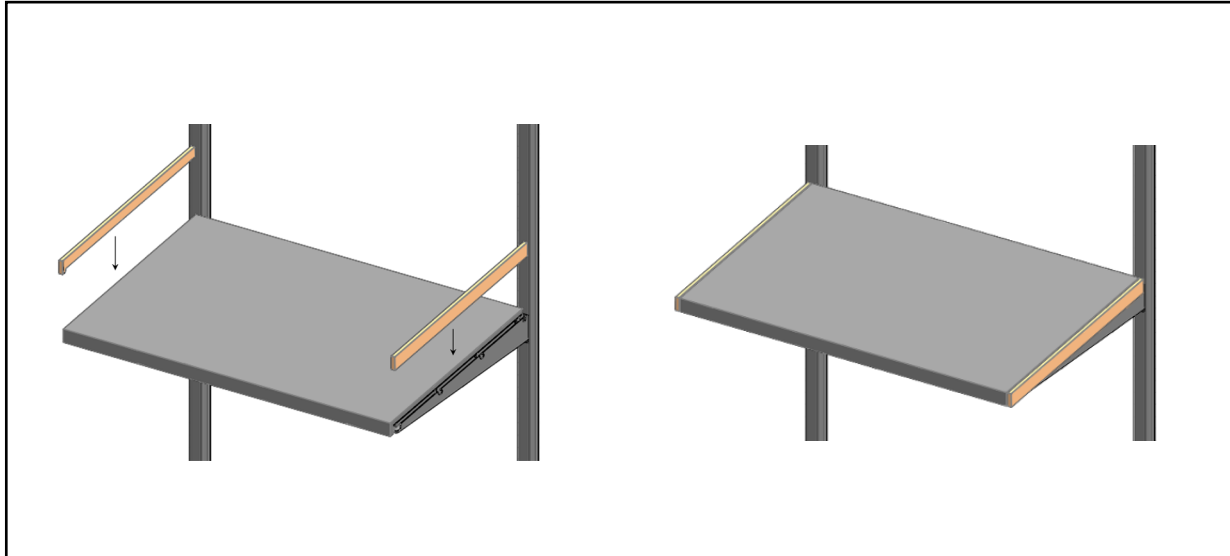
Cut Standard Covers to correct length with scissors. Press the top of the Standard Cover in place.



Slide your hand down the Standard, pressing Cover in place.

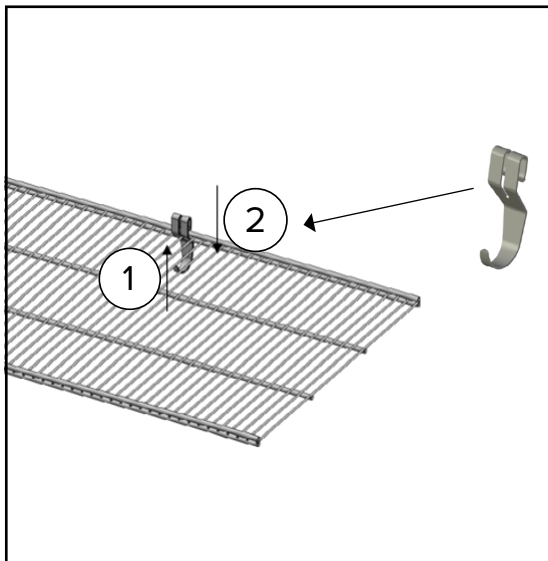
Finishing

Attach Bracket Covers



Determine left and right Brackets. Snap Bracket Covers into place over Brackets.

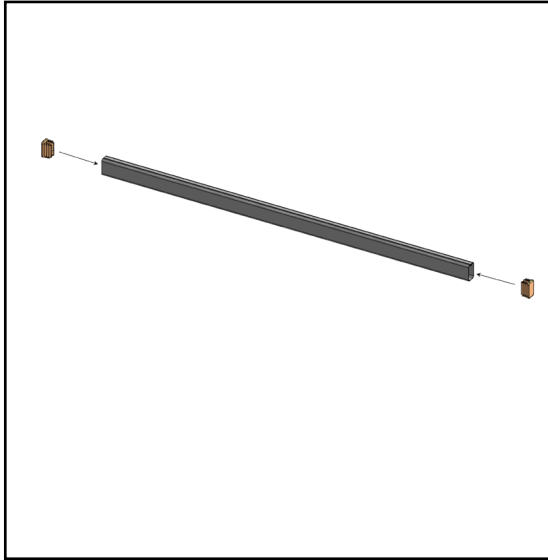
Attach Shelf Hooks (if applicable)



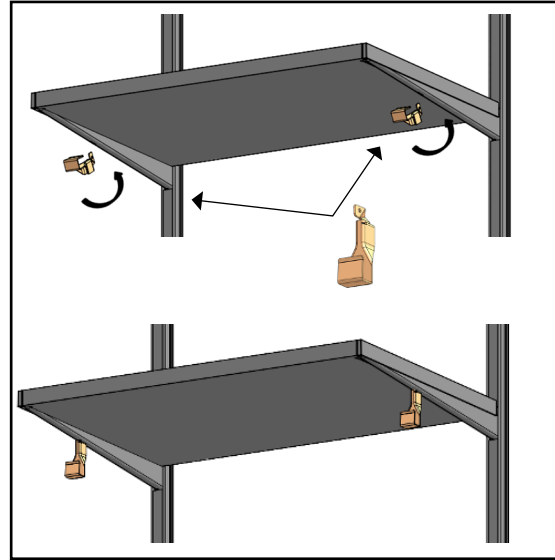
Clip Shelf Hook over edge of Wire Shelf.

Finishing

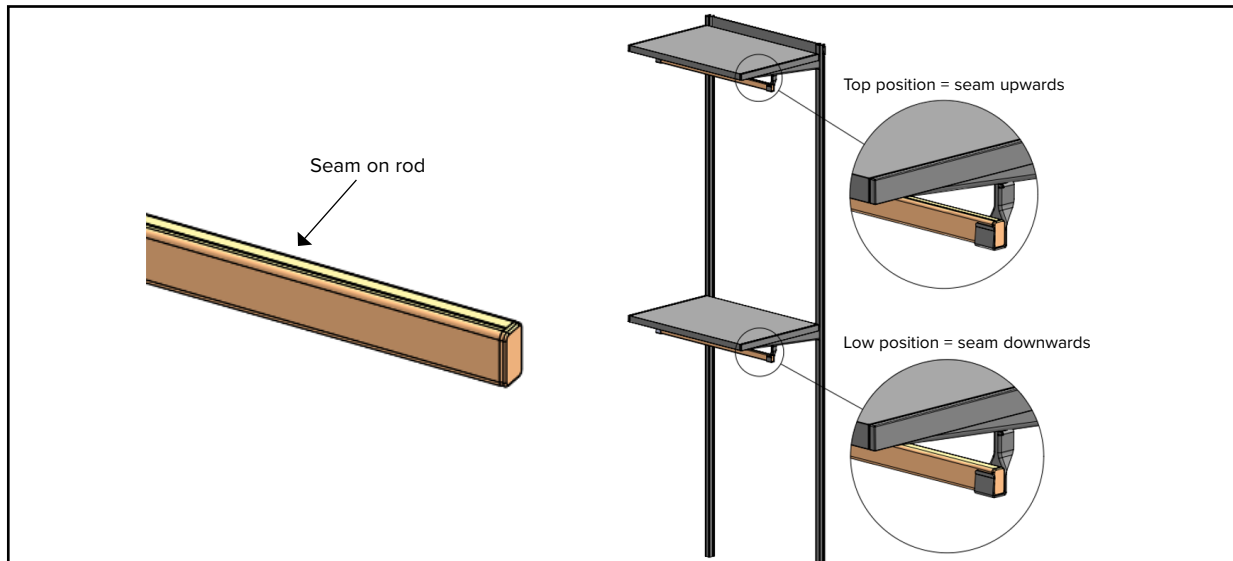
Attach Closet Rods (if applicable)



Attach End Caps to Closet Rod.



Hang Closet Rod Holders from Shelf Brackets.



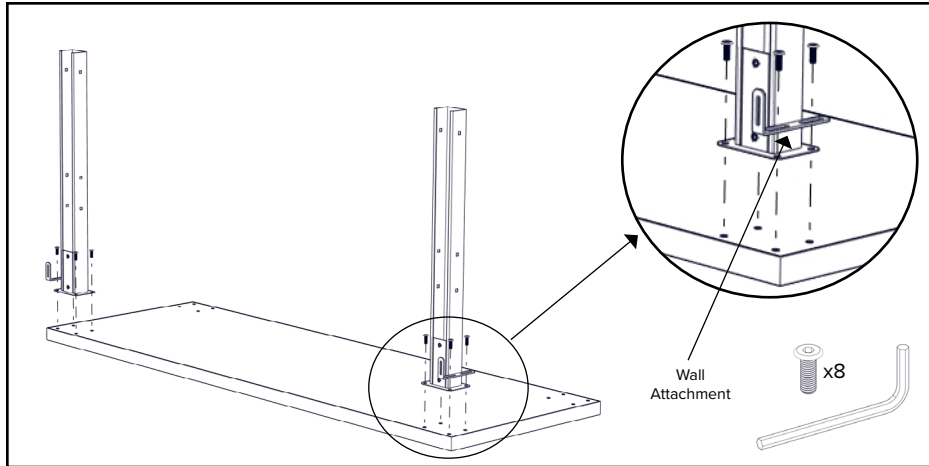
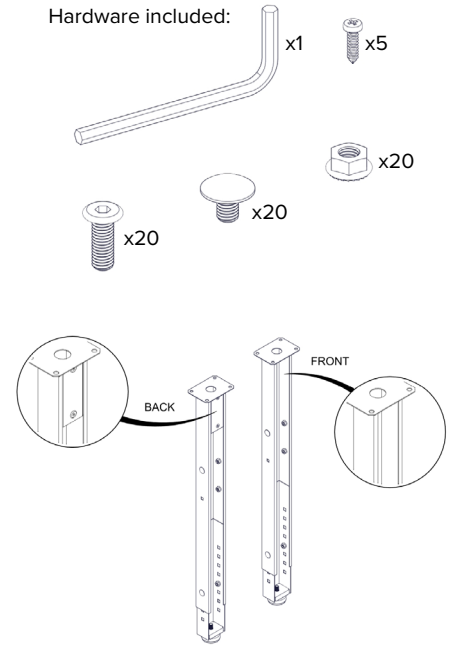
Press Closet Rod into Closet Rod Holders.

Work Benches

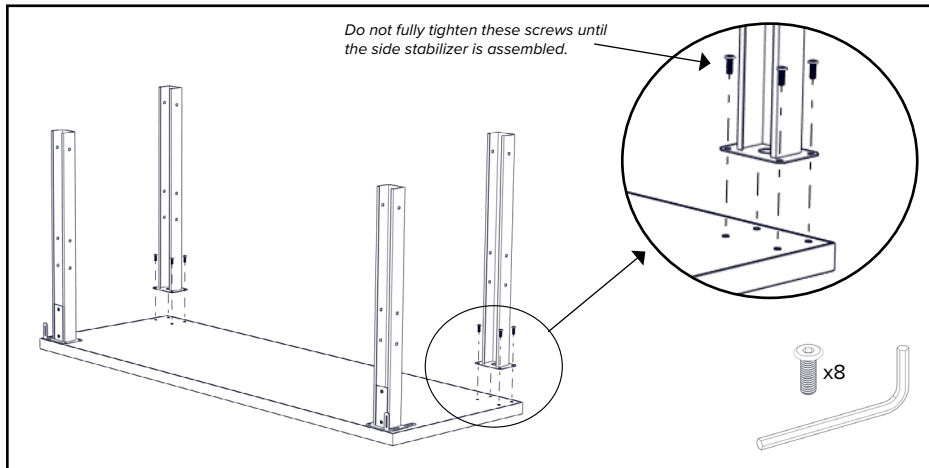
Assemble Work Bench

All hardware and a wrench can be found in one of the Work Bench legs.
Setting the Work Bench upright requires two people.

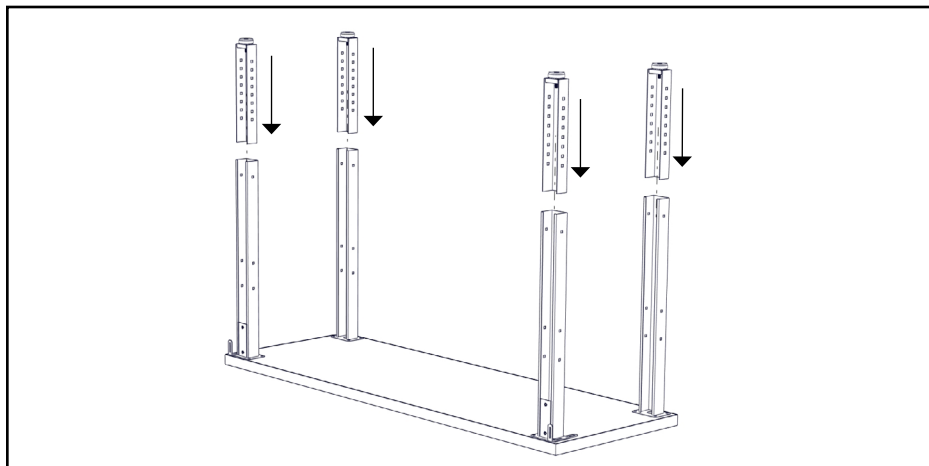
Hardware included:



Attach two Back Legs to top of bench using included hardware as shown. The Wall Attachments should be on the outside of the two Back Legs as shown.

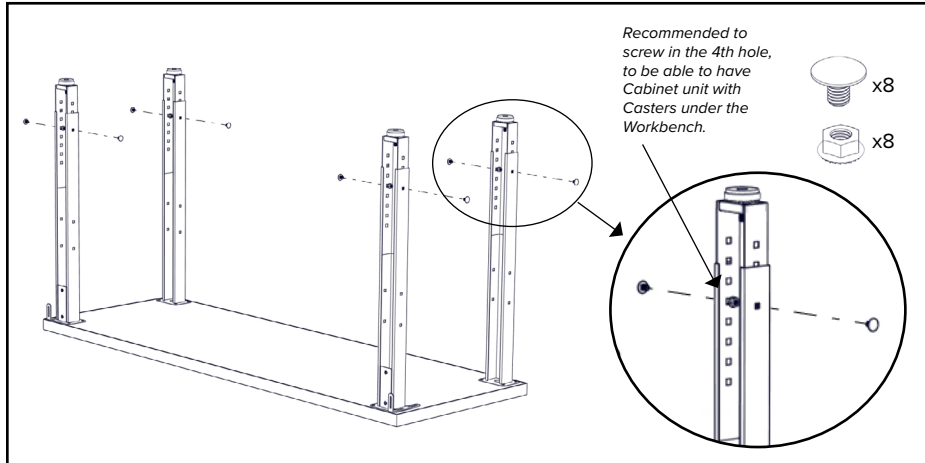


Attach the two Front Legs as shown.

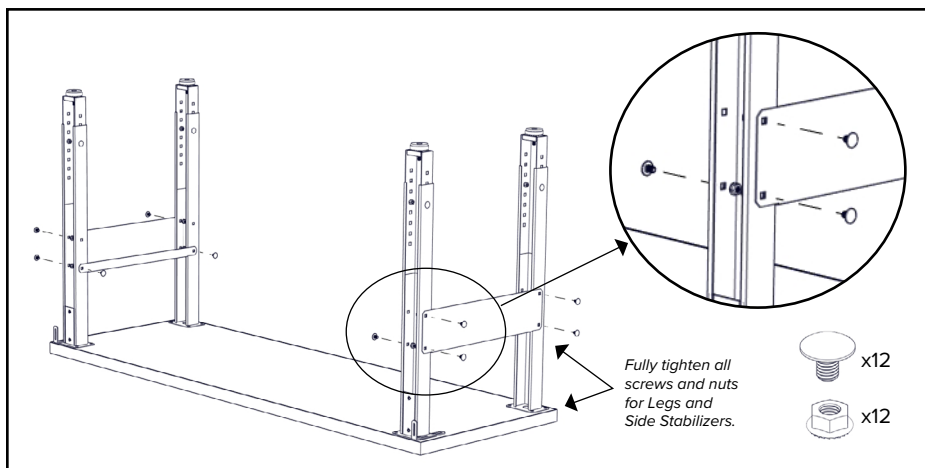
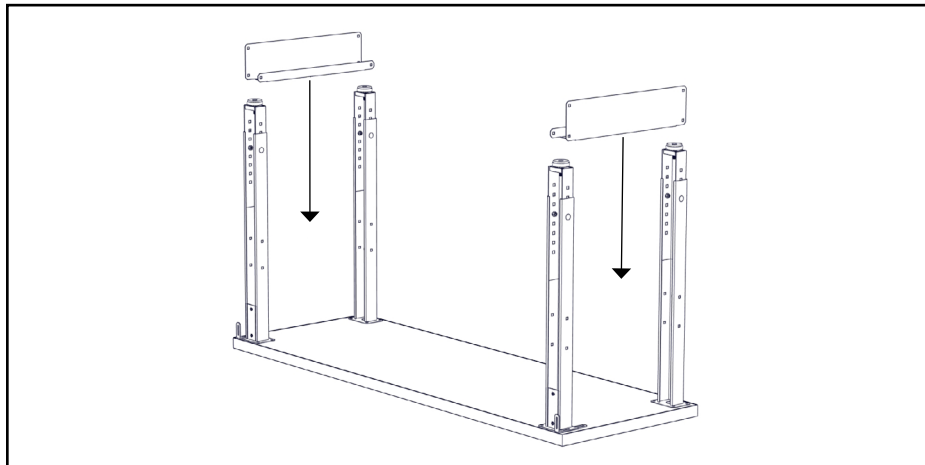


Work Benches

Assemble Work Bench *continued*



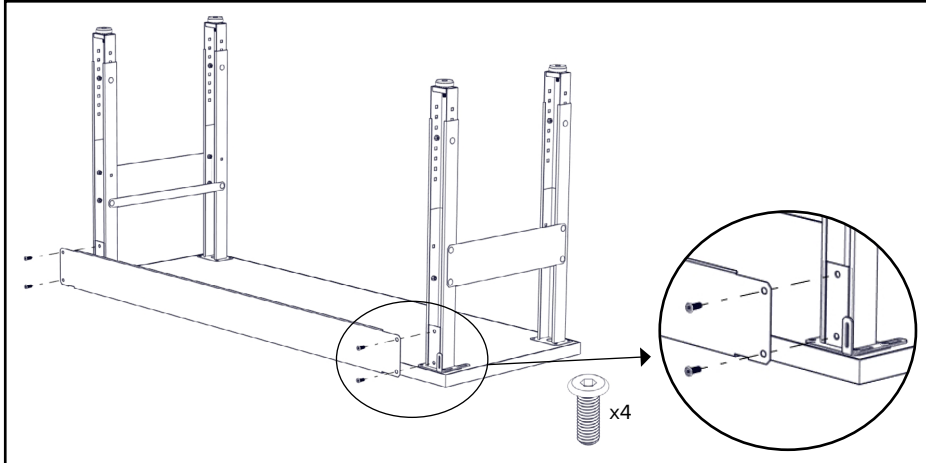
Bolt Legs together.



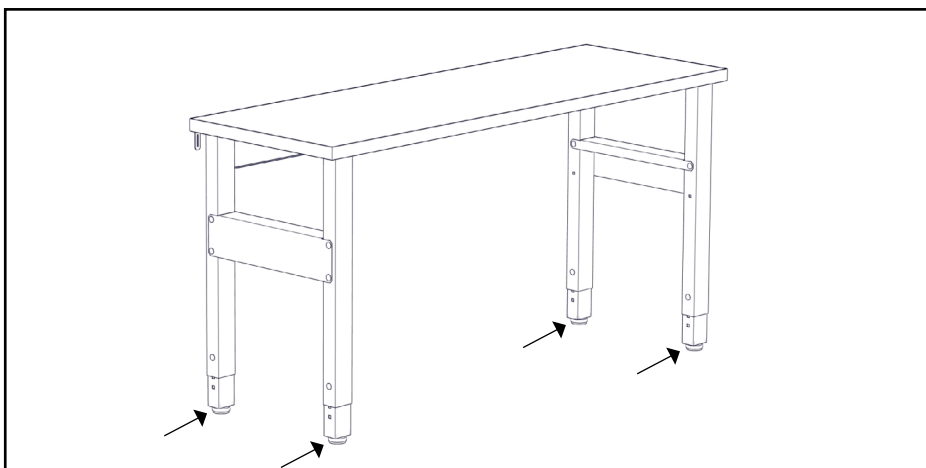
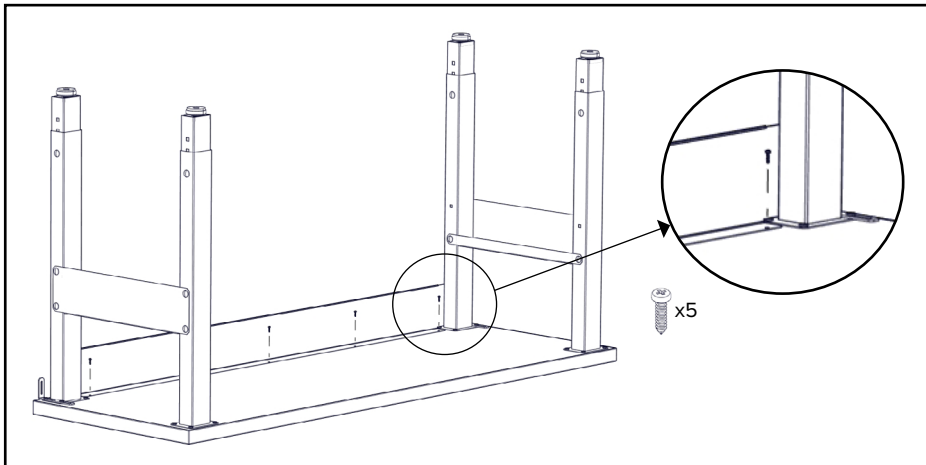
Install Side Stabilizers and tighten all bolts and nuts.

Work Benches

Assemble Work Bench *continued*



Attach Front Facing as shown.



With the help of another person, flip Work Bench upright and adjust the level of the feet.

Attach to wall using Wall Attachments on Back Legs if desired (mounting hardware not included).