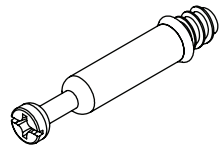
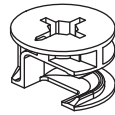


<b>A</b>	<b>Right Panel</b>	<b>1</b>
<b>B</b>	<b>Back Panel</b>	<b>1</b>
<b>C</b>	<b>Top Panel</b>	<b>1</b>
<b>D</b>	<b>Bottom Panel</b>	<b>1</b>
<b>E</b>	<b>Left Panel</b>	<b>1</b>
<b>F</b>	<b>Bottom Rail</b>	<b>1</b>
<b>G</b>	<b>Leg</b>	<b>2</b>
<b>H</b>	<b>Drawer Back Panel</b>	<b>1</b>
<b>I</b>	<b>Drawer Right Panel</b>	<b>1</b>
<b>J</b>	<b>Drawer Left Panel</b>	<b>1</b>
<b>K</b>	<b>Drawer Bottom</b>	<b>1</b>
<b>L</b>	<b>Drawer Front Panel</b>	<b>1</b>

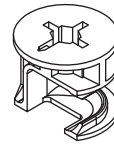
Please review the hardware listed on the next page as well as individual components of this product. As you unpack and prepare for assembly, place the contents on a carpeted or padded area to protect them from damage.



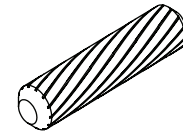
**H1 x 20  
CAM BOLT**



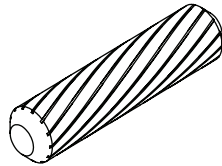
**H2 x 8  
SMALL CAM**



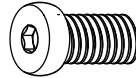
**H3 x 12  
CAM**



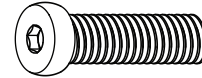
**H4 x 8  
SMALL DOWEL**



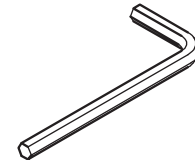
**H5 x 12  
LARGE DOWEL**



**H6 x 4  
SMALL BOLT**



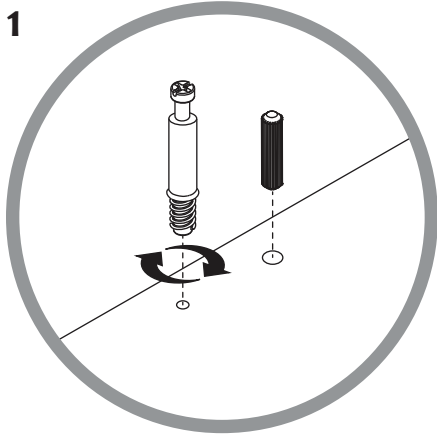
**H7 x 8  
LARGE BOLT**



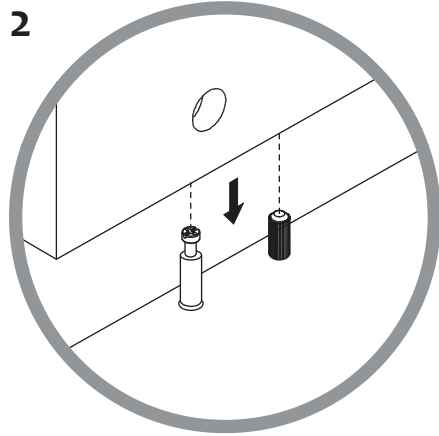
**H8 x 1  
ALLEN  
WRENCH**

**TOOLS REQUIRED: PHILLIPS SCREWDRIVER**

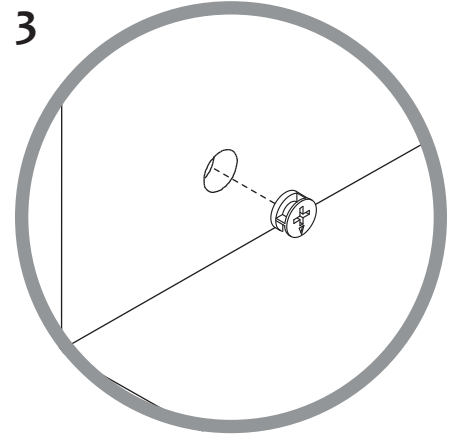
1



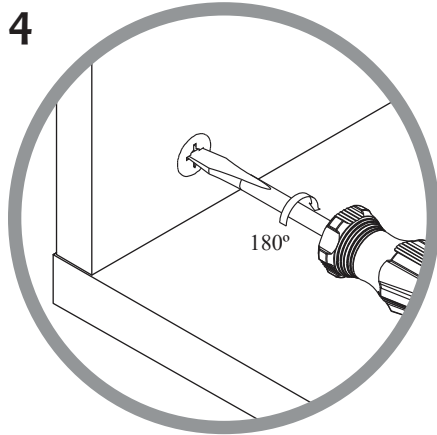
2



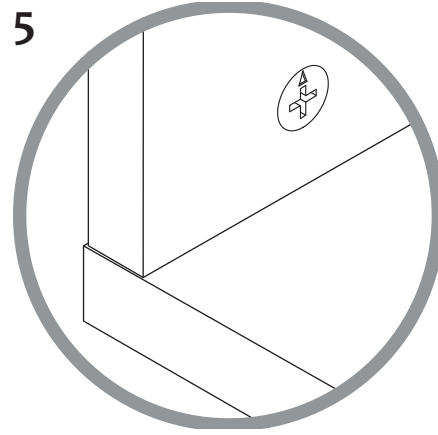
3



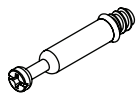
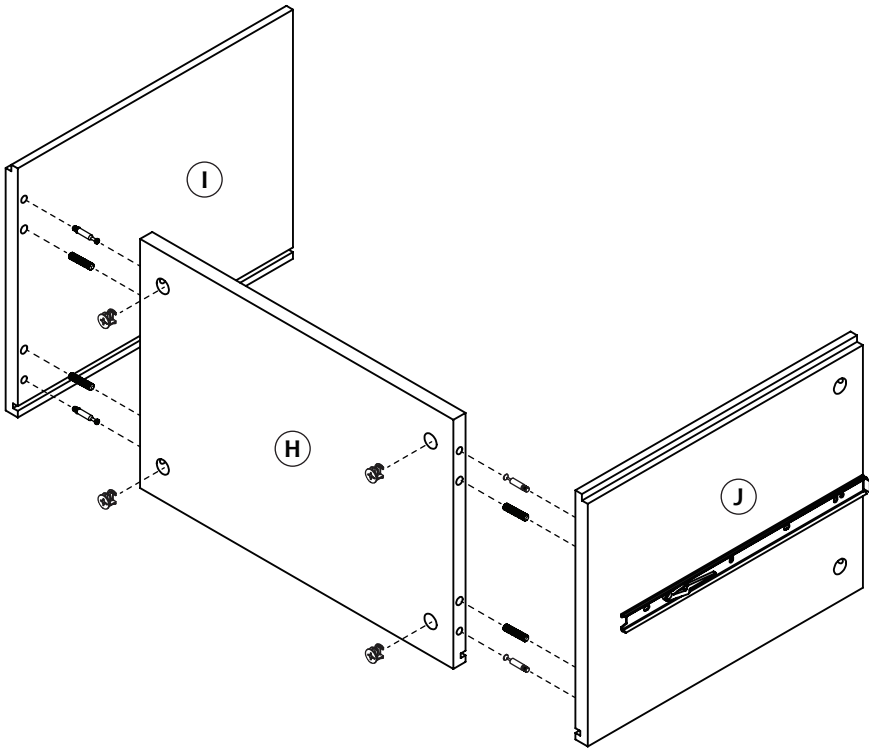
4



5



## STEP 1



H1 x 4  
CAM BOLT

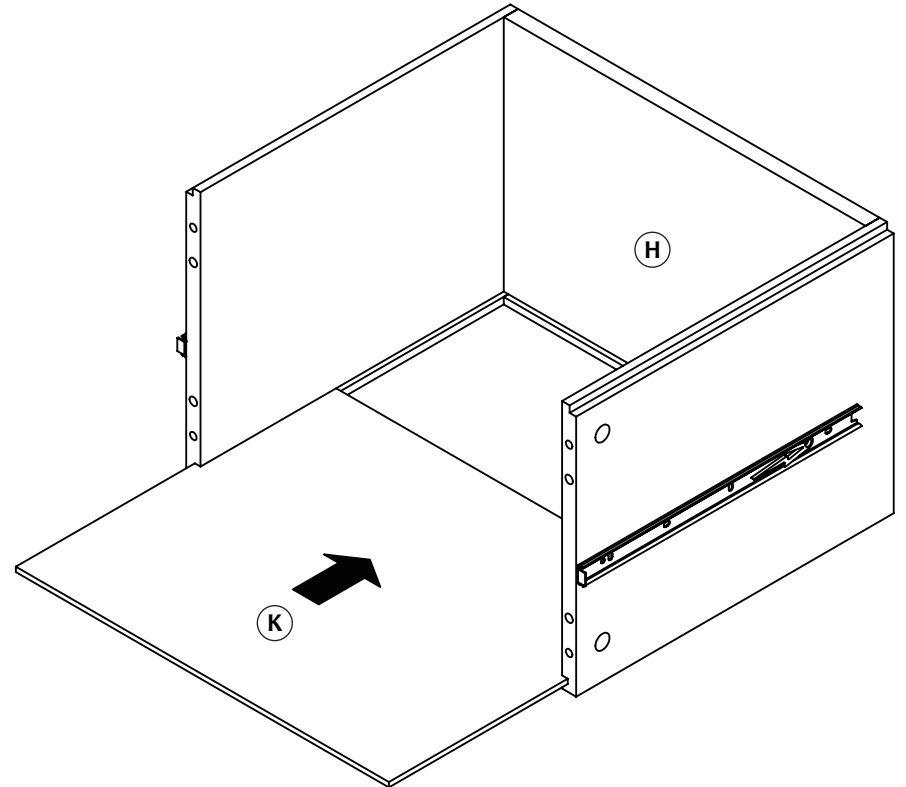


H2 x 4  
SMALL CAM

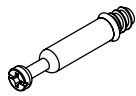
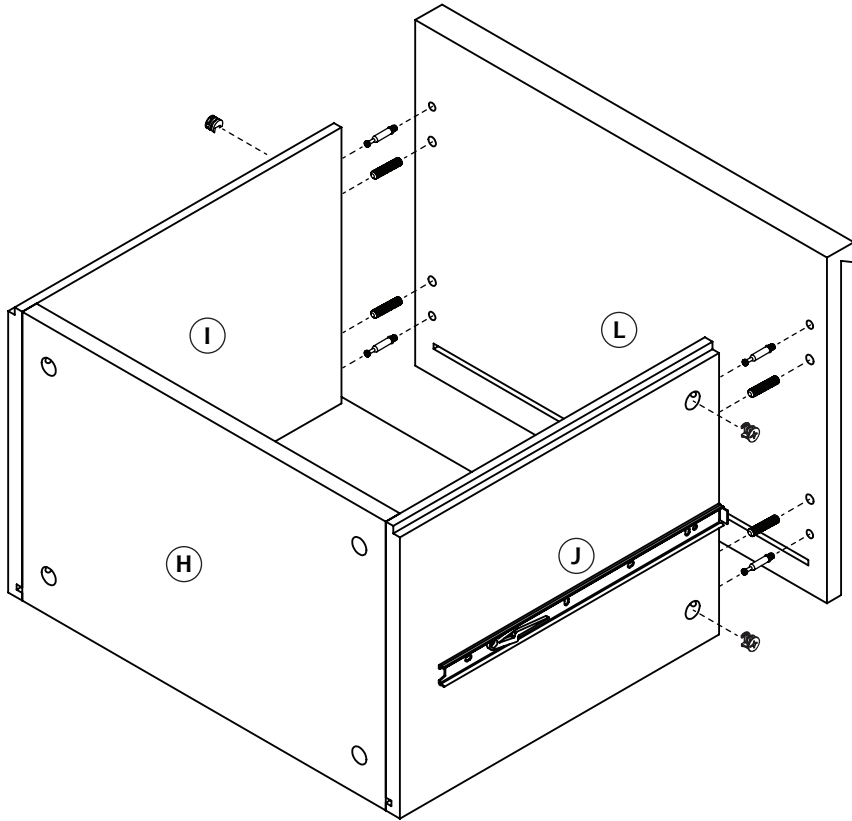


H4 x 4  
SMALL DOWEL

## STEP 2



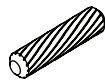
### STEP 3



H1 x 4  
CAM BOLT

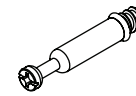
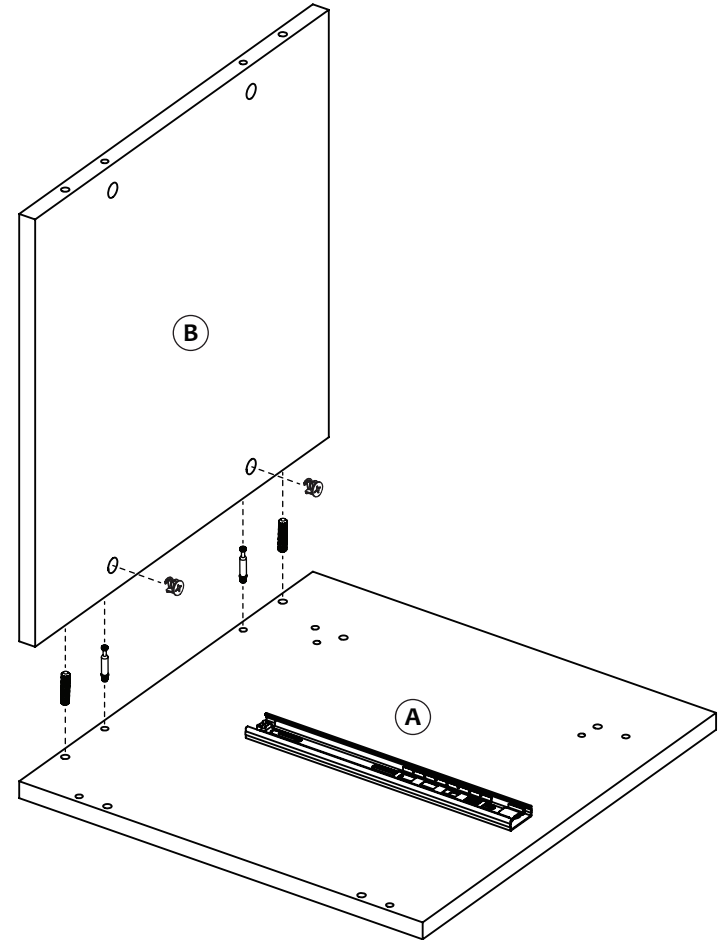


H2 x 4  
SMALL CAM



H4 x 4  
SMALL DOWEL

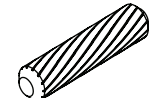
### STEP 4



H1 x 2  
CAM BOLT

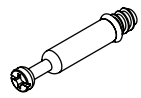
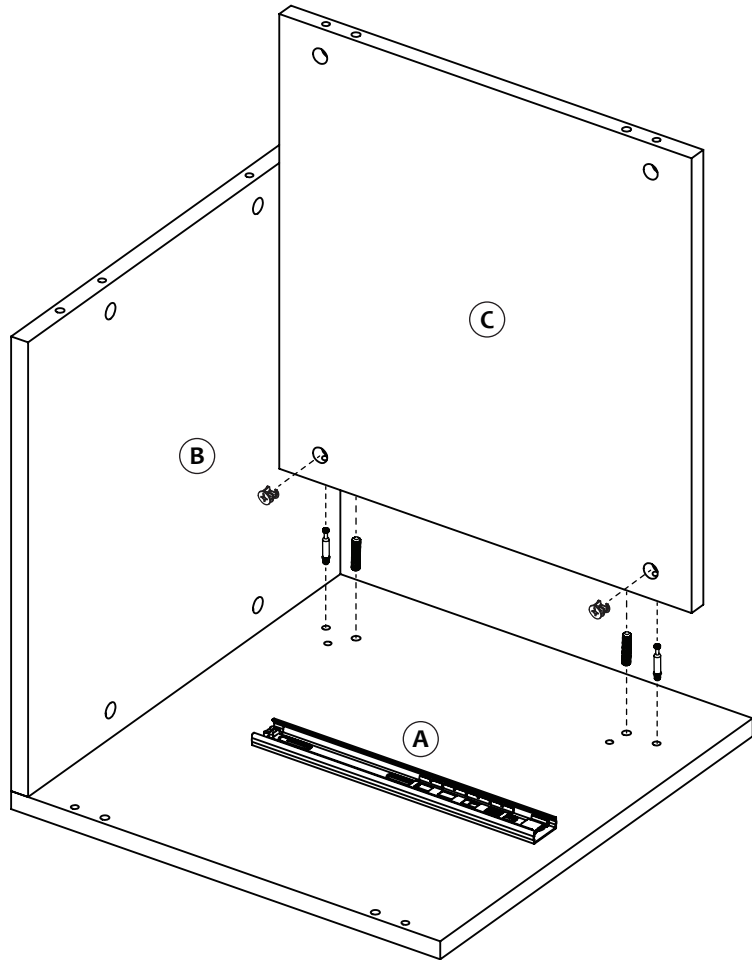


H3 x 2  
LARGE CAM



H5 x 2  
LARGE DOWEL

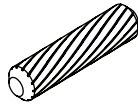
### STEP 5



H1 x 2  
CAM BOLT

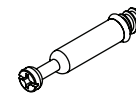
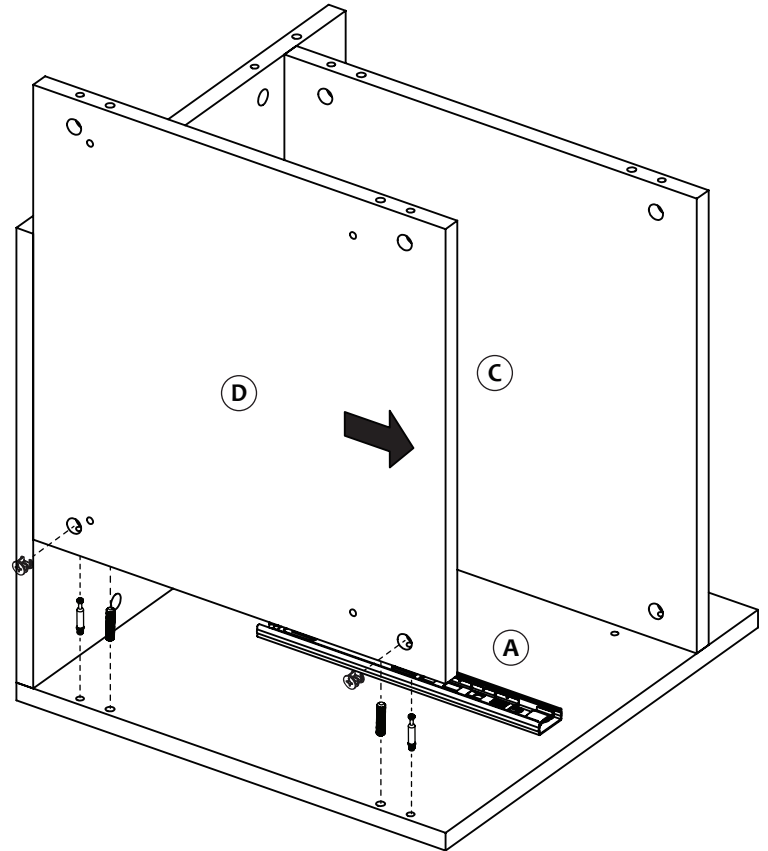


H3 x 2  
LARGE CAM



H5 x 2  
LARGE DOWEL

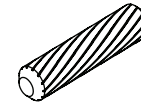
### STEP 6



H1 x 2  
CAM BOLT

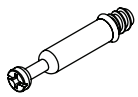
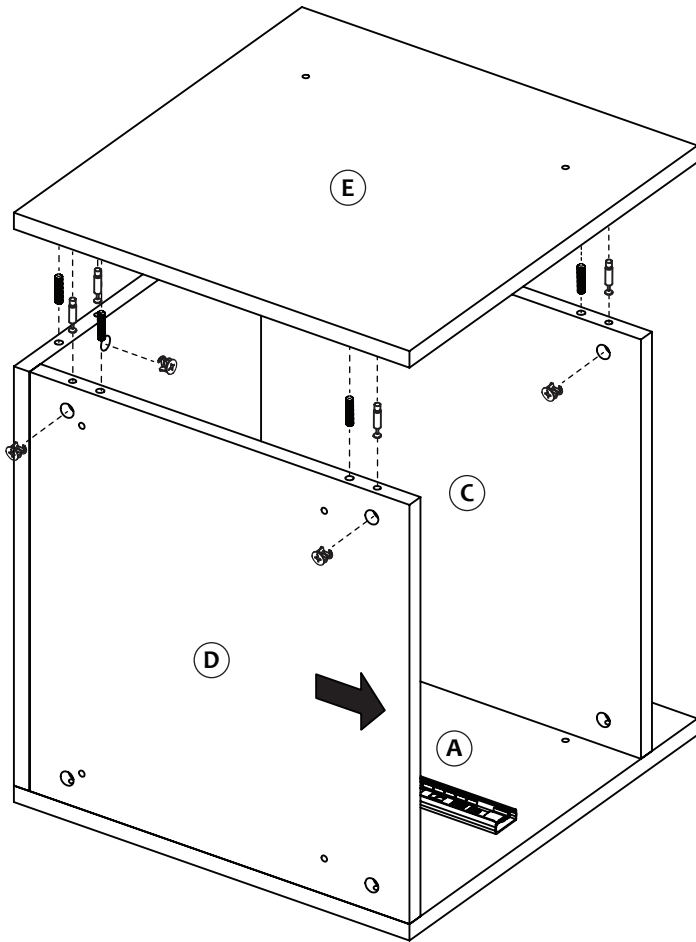


H3 x 2  
LARGE CAM



H5 x 2  
LARGE DOWEL

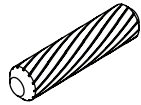
## STEP 7



H1 x 6  
CAM BOLT



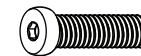
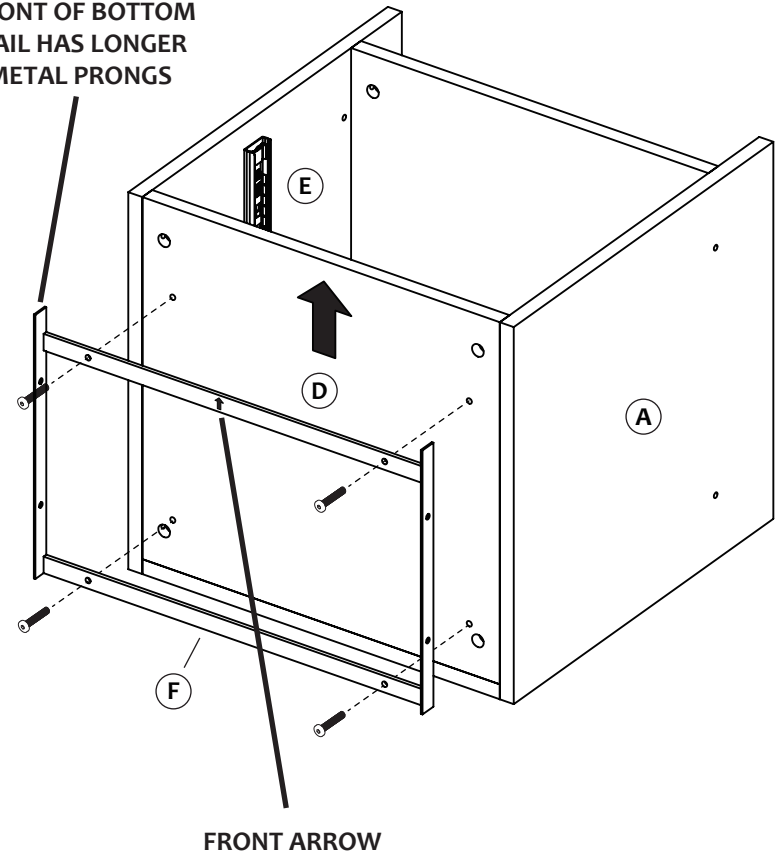
H3 x 6  
LARGE CAM



H5 x 6  
LARGE DOWEL

## STEP 8

FRONT OF BOTTOM  
RAIL HAS LONGER  
METAL PRONGS



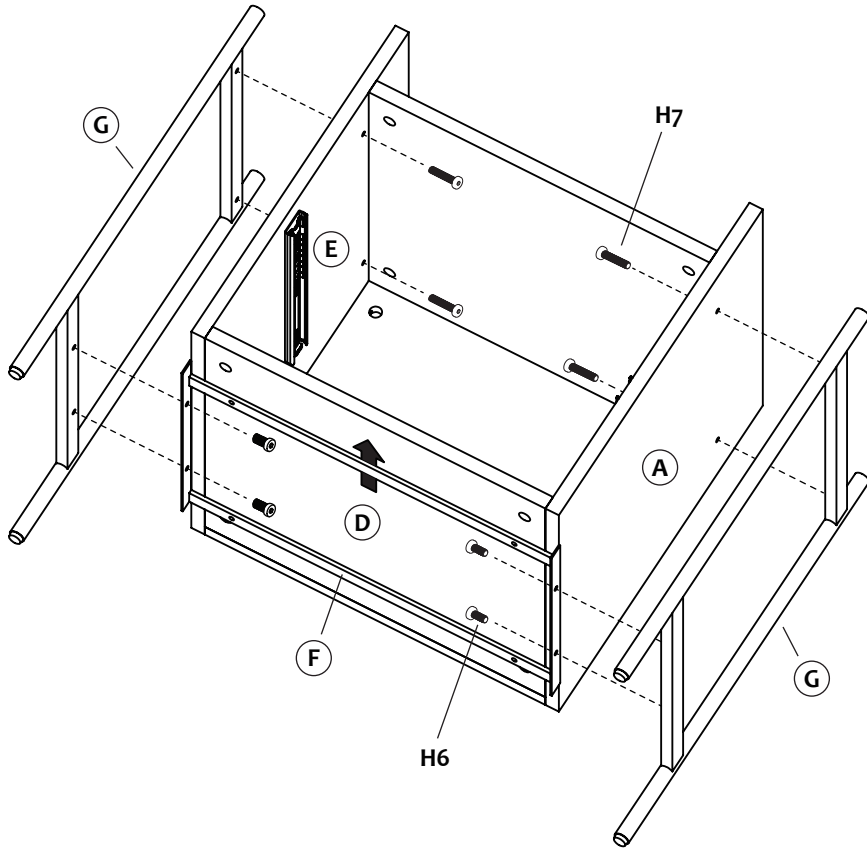
H7 x 4  
LARGE BOLT



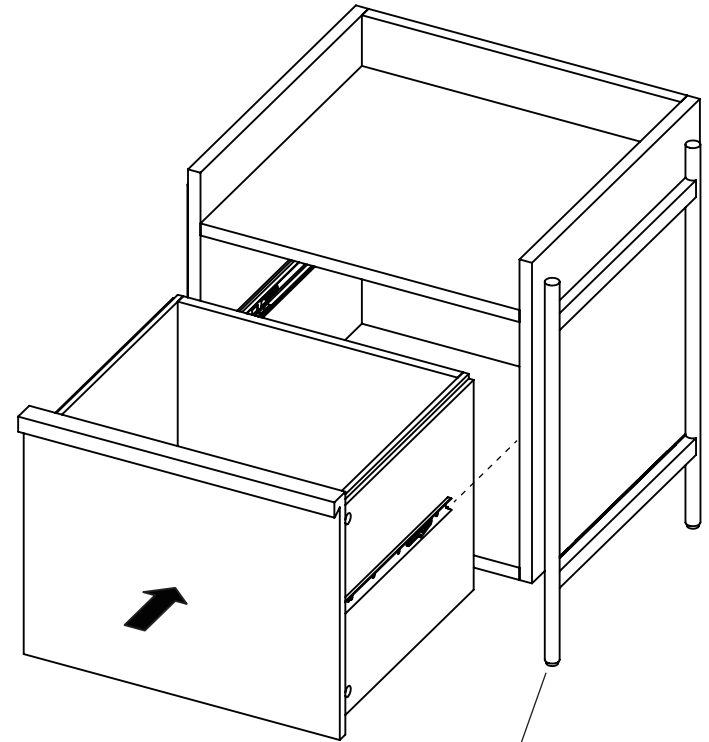
H8 x 1  
ALLEN  
WRENCH



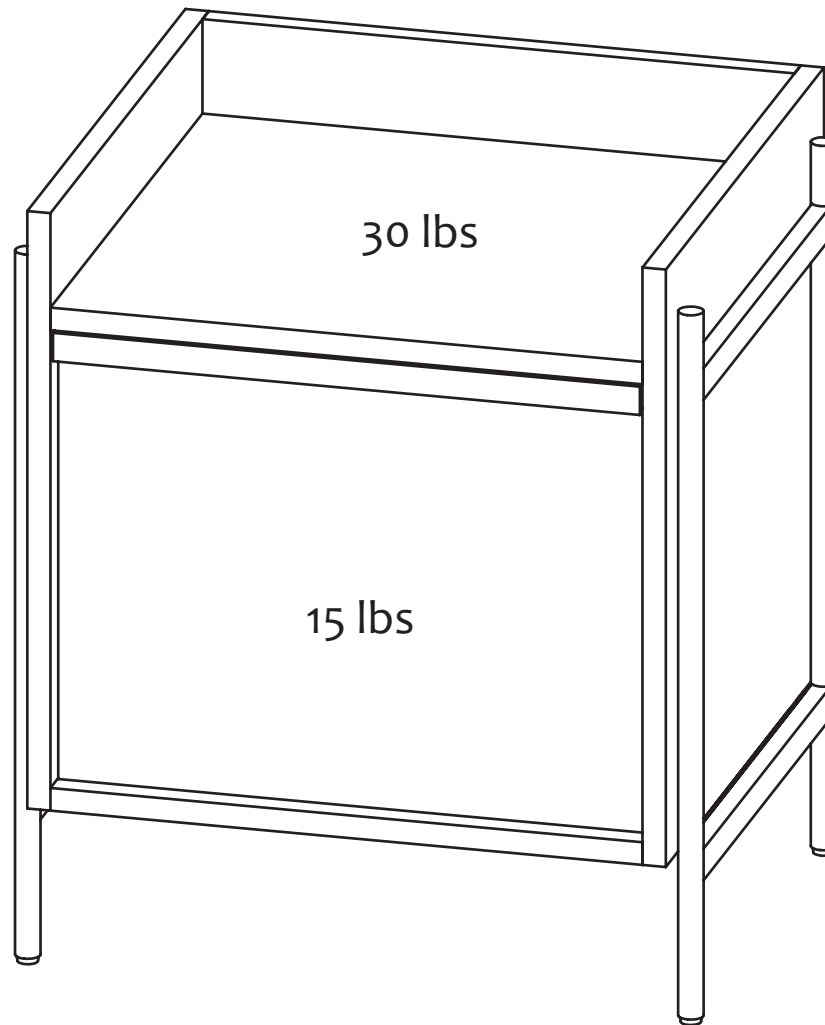
### STEP 9



### STEP 10



ADJUSTABLE  
GLIDES



**WARNING:** Do not exceed the recommended weight limits on the designated panels. Exceeding these limits could cause sagging, possibly resulting in failure of product or bodily injury. Severe injury may occur if furniture tips over. Never allow children to climb or play on this product. Place heaviest items on lower shelves and as far back as possible, never overload product.