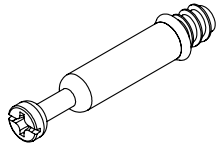
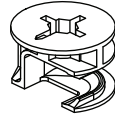


A	Top Panel	1
B	Side Panel	2
C	Bottom Panel	1
D	Partition	1
E	Fixed Shelf	2
F	Back Panel	1

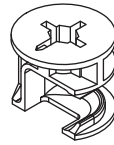
Please review the hardware listed on the next page as well as individual components of this product. As you unpack and prepare for assembly, place the contents on a carpeted or padded area to protect them from damage.



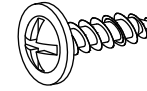
**H1 x 20
CAM BOLT**



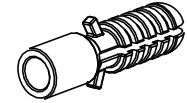
**H2 x 4
THIN CAM**



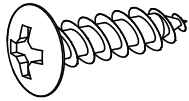
**H3 x 16
THICK CAM**



**H4 x 17
TRUSS HEAD
SCREW**



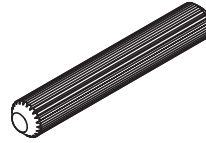
**H5 x 1
WALL ANCHOR**



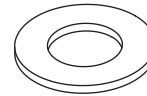
**H6 x 1
PAN HEAD
SCREW**



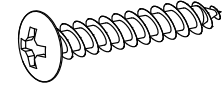
**H7 x 1
WALL STRAP**



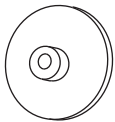
**H8 x 2
LONG
DOWEL**



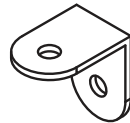
**H9 x 2
WASHER**



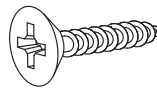
**H10 x 1
WALL
SCREW**



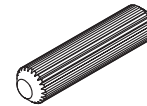
**H11 x 20
COVER**



**H12 x 2
CORNER
BRACKET**

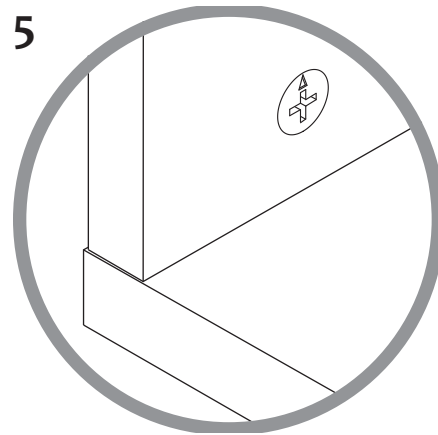
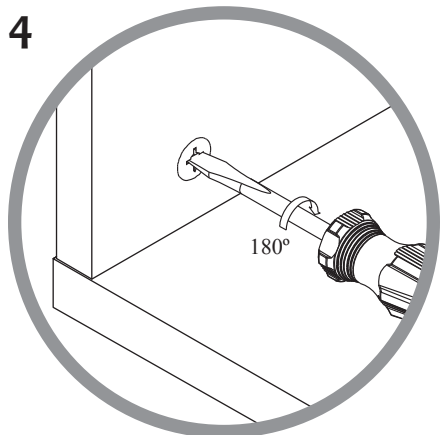
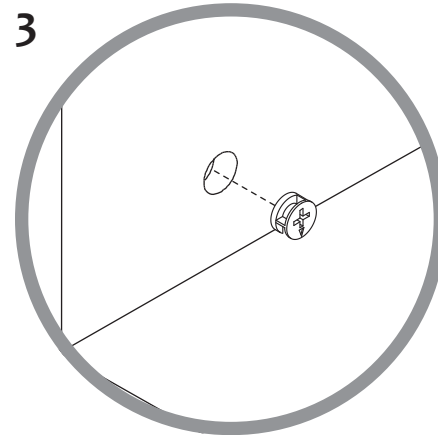
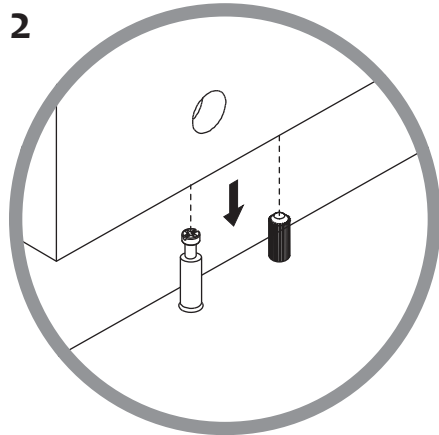
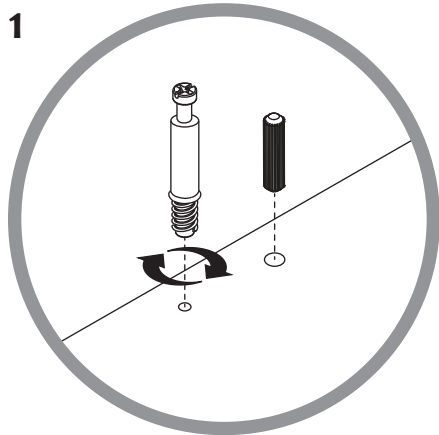


**H13 x 4
FLAT HEAD
SCREW**

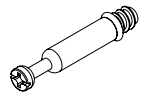
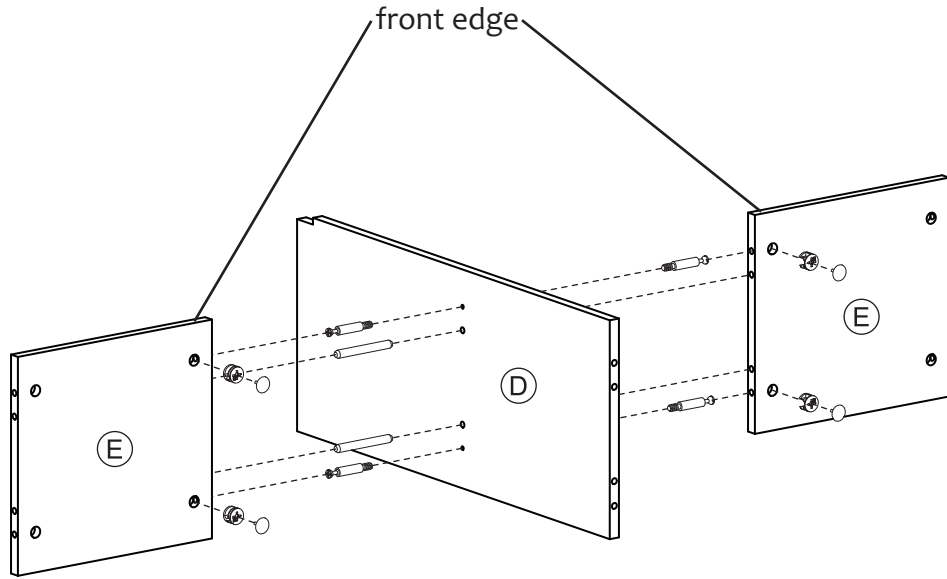


**H14 x 16
SHORT
DOWEL**

TOOLS REQUIRED: PHILLIPS SCREWDRIVER



STEP 1



H1 x 4
CAM BOLT



H3 x 4
THICK CAM

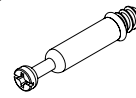
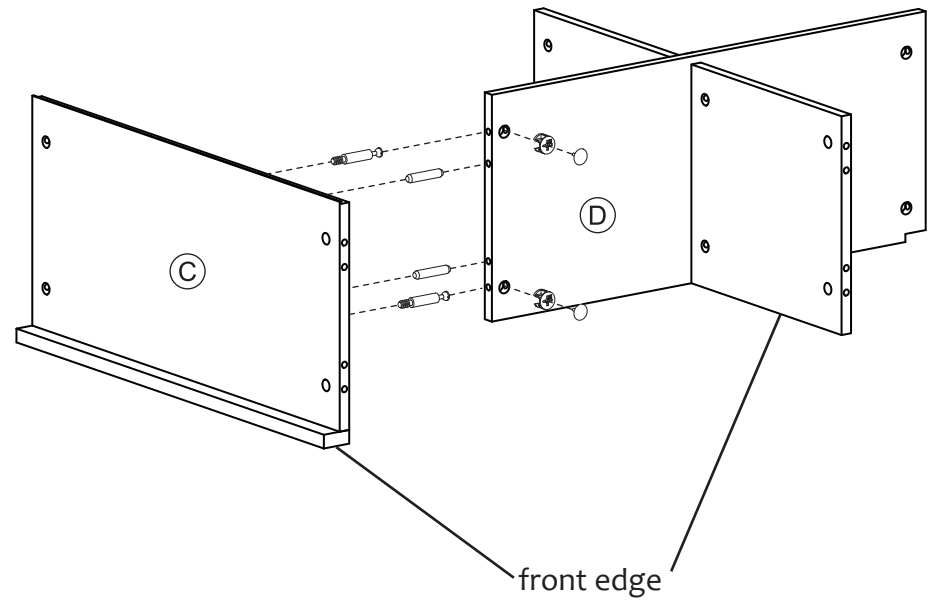


H8 x 2
LONG
DOWEL



H11 x 4
COVER

STEP 2



H1 x 2
CAM BOLT



H3 x 2
THICK CAM

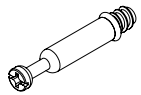
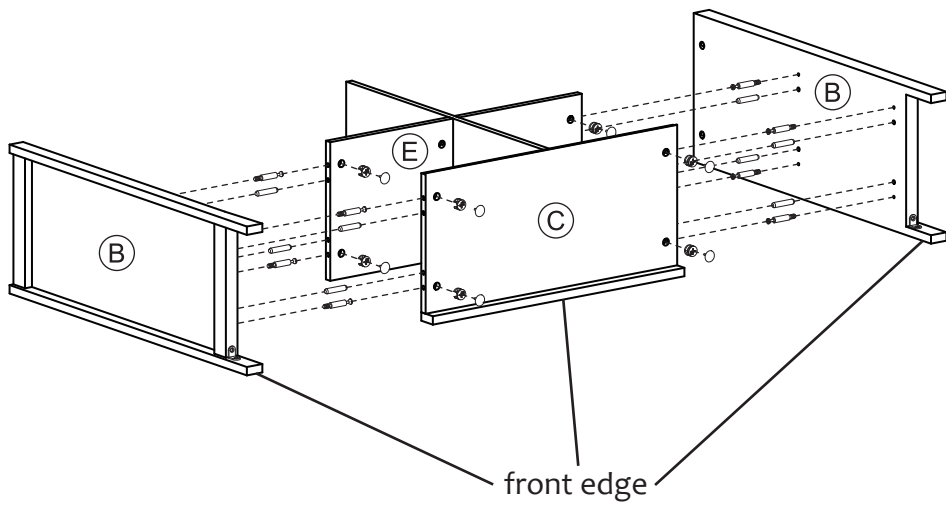


H11 x 2
COVER



H14 x 2
SHORT
DOWEL

STEP 3



H1 x 8
CAM BOLT



H3 x 8
THICK CAM

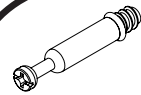
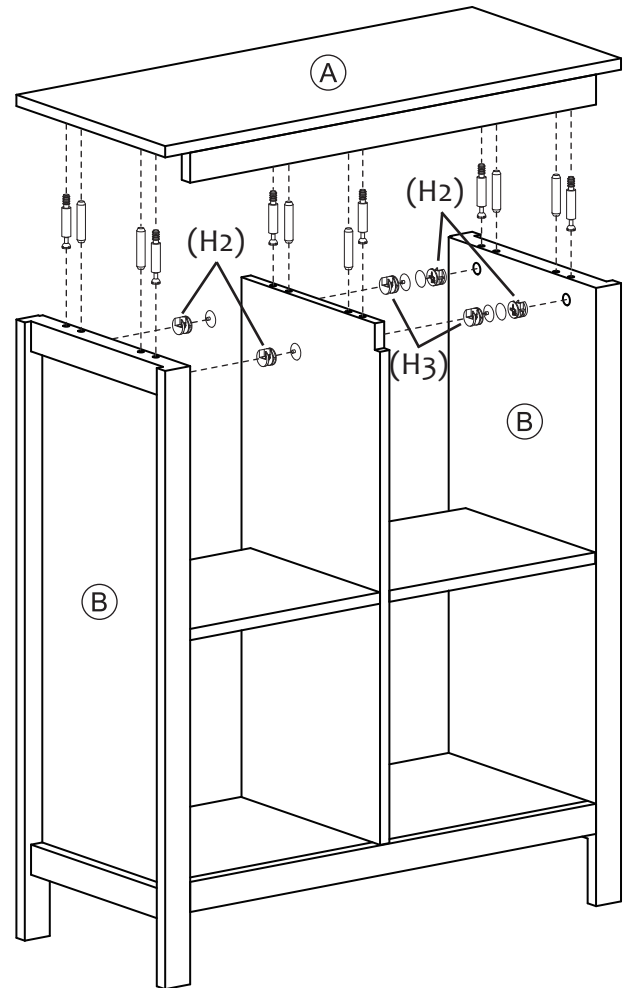


H11 x 8
COVER



H14 x 8
SHORT
DOWEL

STEP 4



H1 x 6
CAM BOLT



H2 x 4
THIN CAM



H3 x 2
THICK CAM

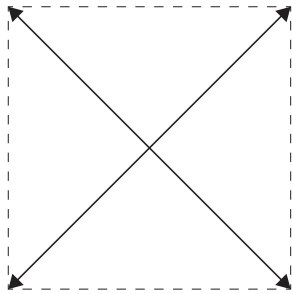


H11 x 6
COVER

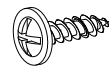
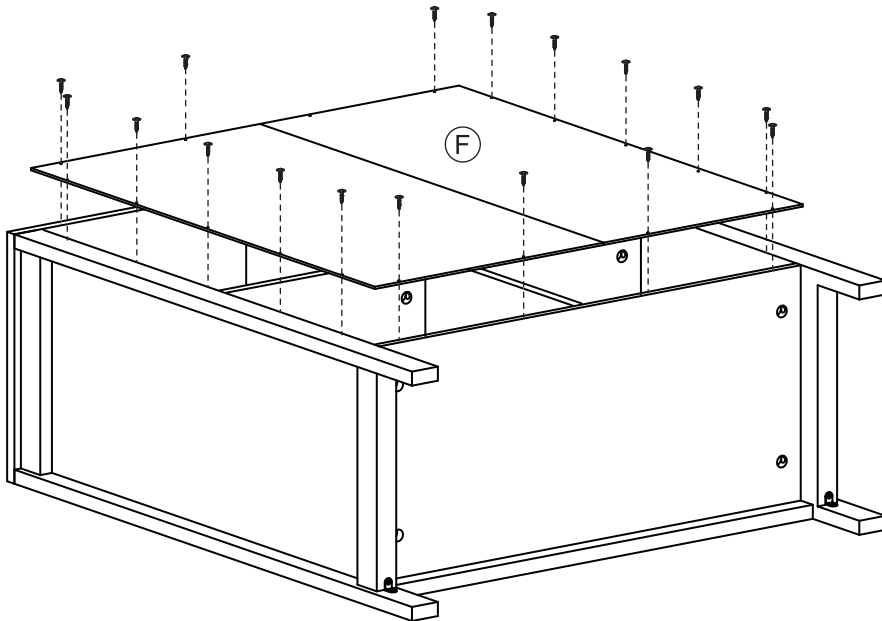


H14 x 6
SHORT
DOWEL

STEP 5

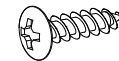
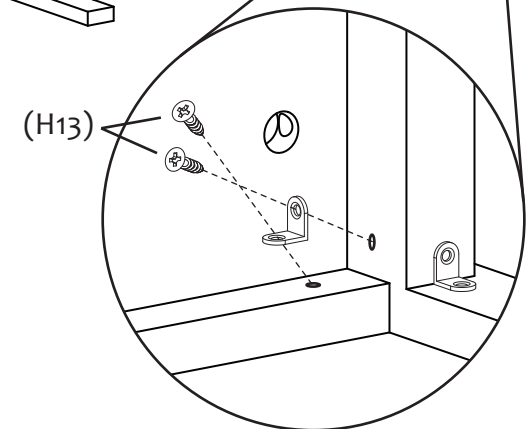
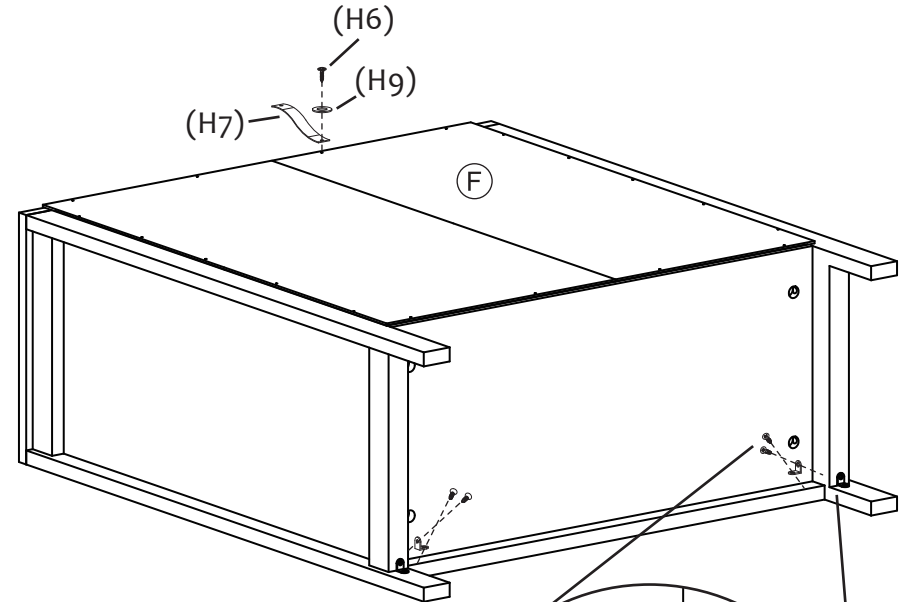


Begin by installing all of the screws along one edge of the back panel. Next, using a square or tape measure, make sure that the cabinet is square. (If using a tape measure, the distance from one corner, diagonally to the other corner should be the same in both directions.) Install the remaining screws, starting with the corners.



**H4 x 17
TRUSS HEAD
SCREW**

STEP 6



**H6 x 1
PAN HEAD
SCREW**



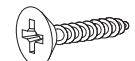
**H7 x 1
WALL
STRAP**



**H9 x 1
WASHER**

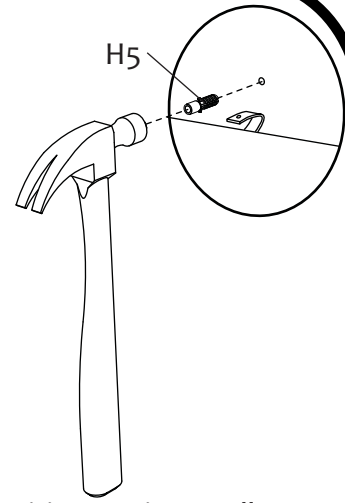


**H12 x 2
CORNER FLAT HEAD
SUPPORT**

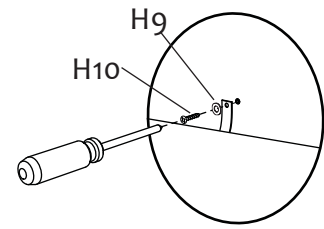


**H13 x 4
FLAT HEAD
SCREW**

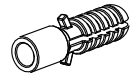
STEP 7



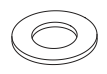
Position against wall
Mark position of strap hole
on wall
Drill 1/4" hole
tap in wall anchor



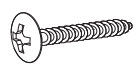
Fasten anti-tip strap with
wall screw provided



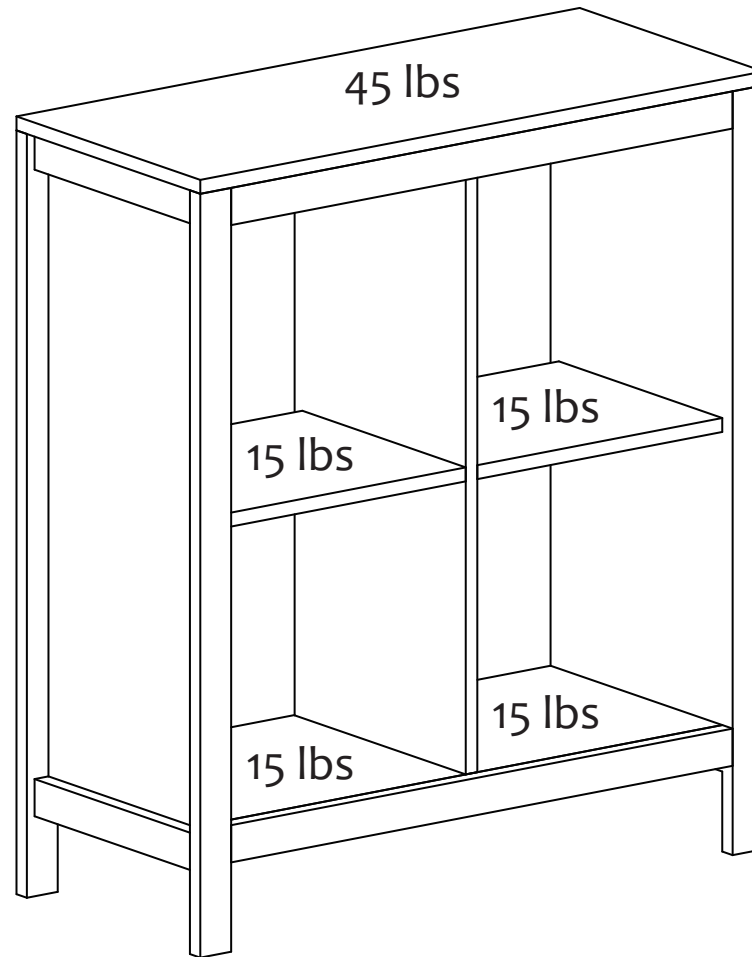
**H5 x 1
WALL
ANCHOR**



**H9 x 1
WASHER**



**H10 x 1
WALL
SCREW**



WARNING: Do not exceed the recommended weight limits on the designated panels. Exceeding these limits could cause sagging, possibly resulting in failure of product or bodily injury. Severe injury may occur if furniture tips over. Never allow children to climb or play on this product. Place heaviest items on lower shelves and as far back as possible, never overload product.