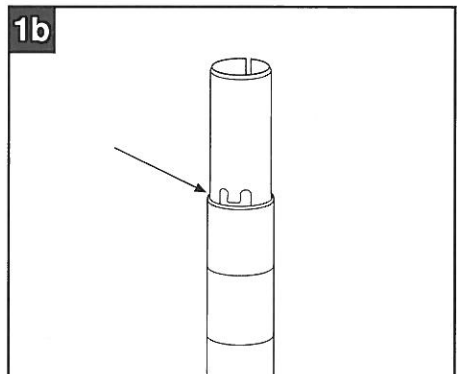
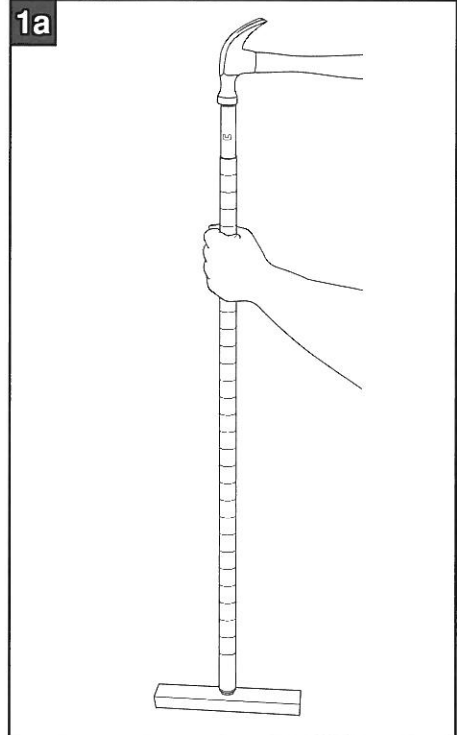
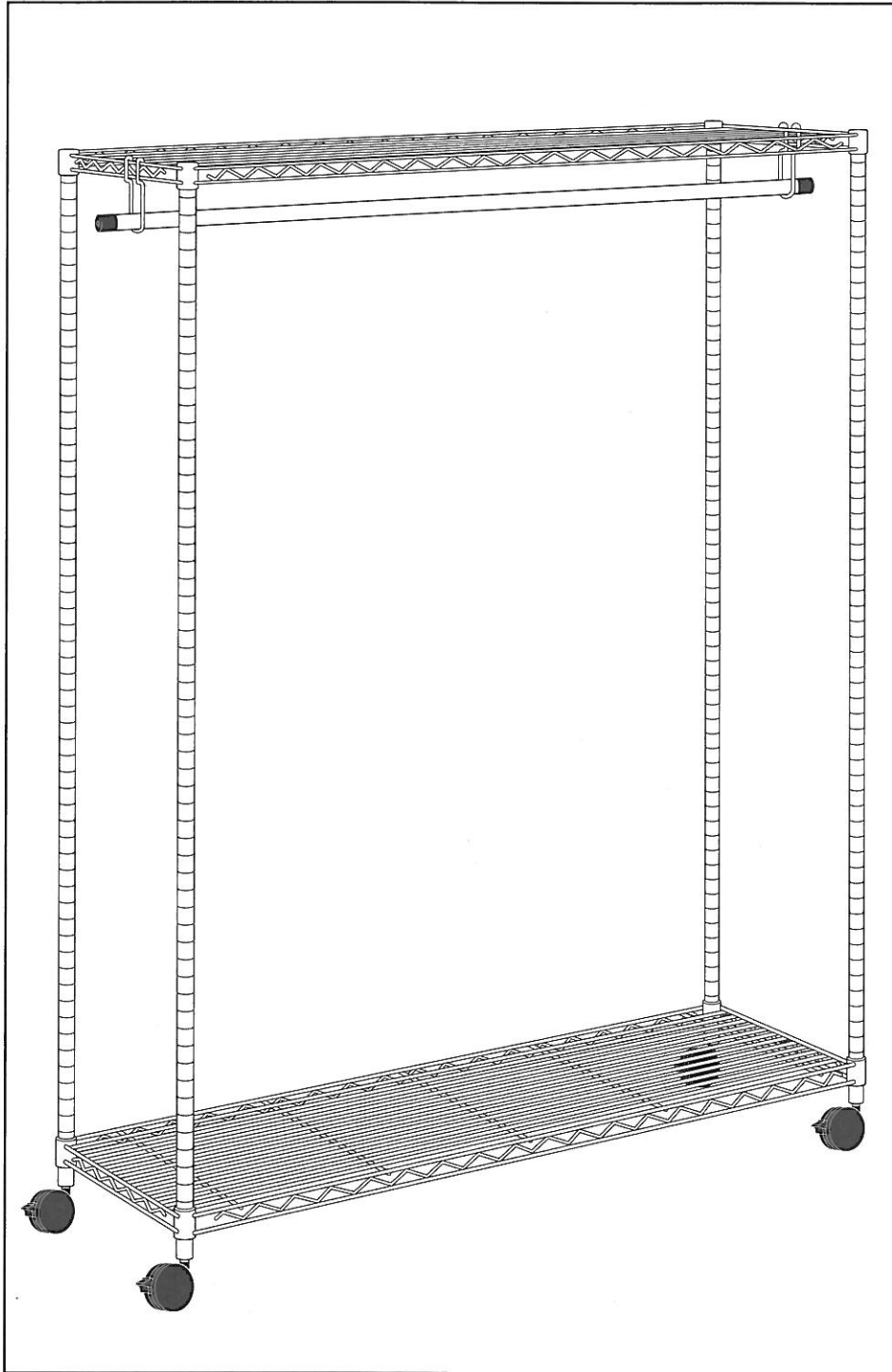


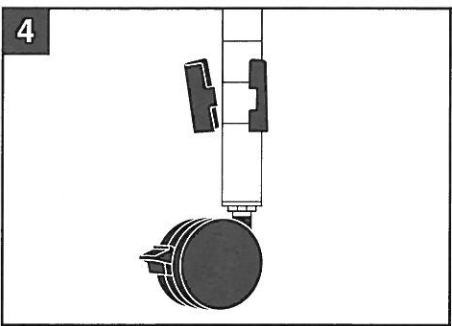
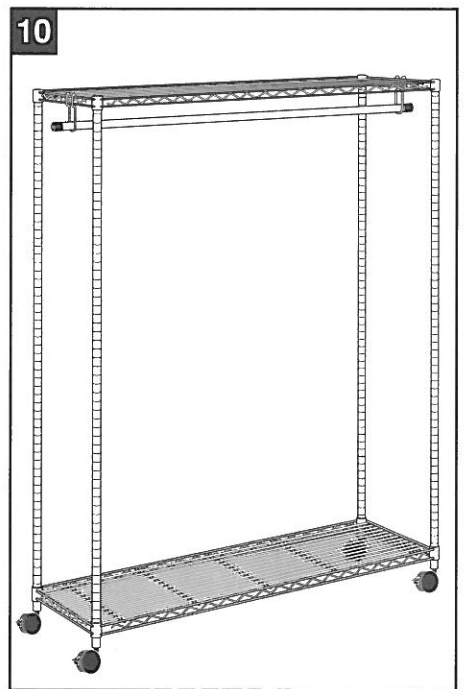
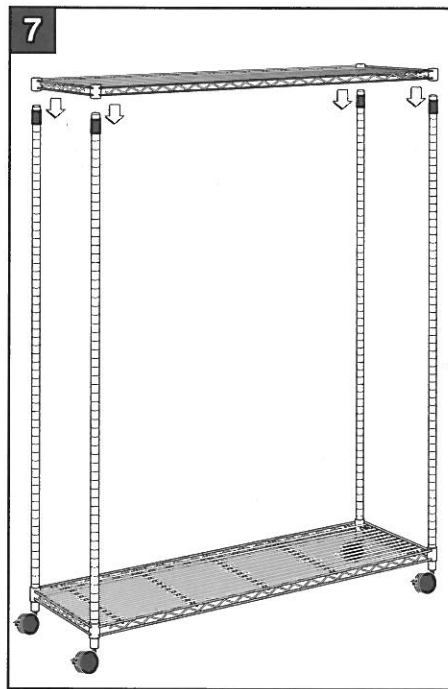
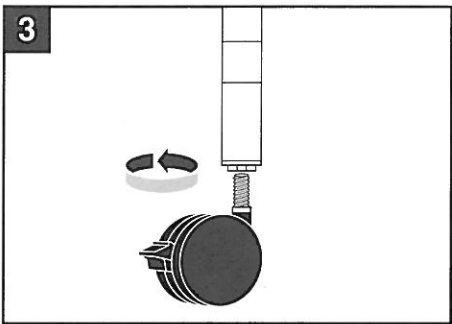
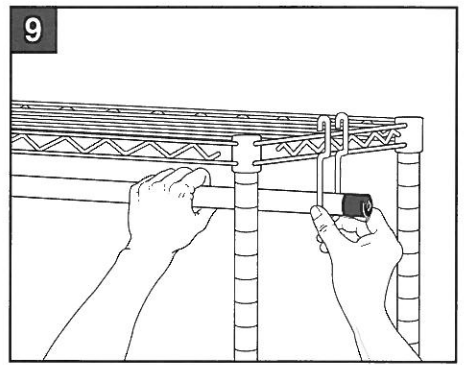
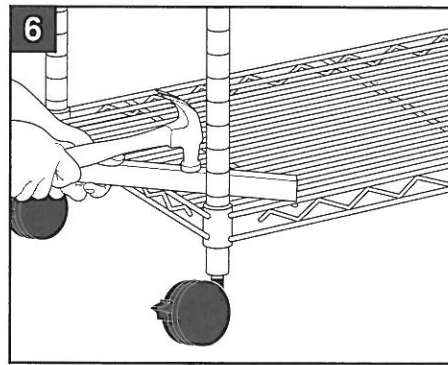
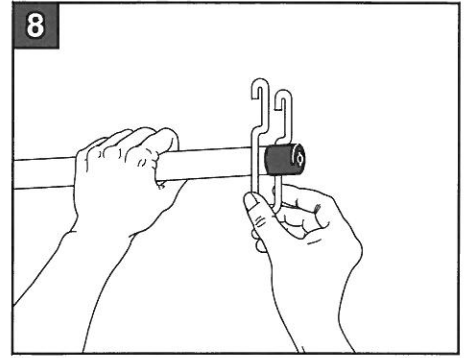
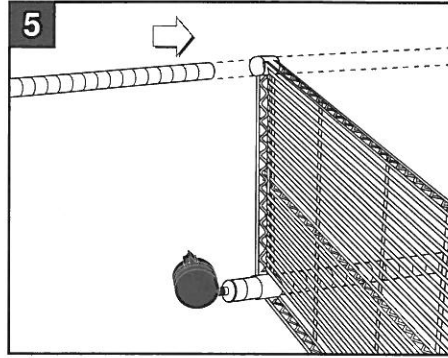
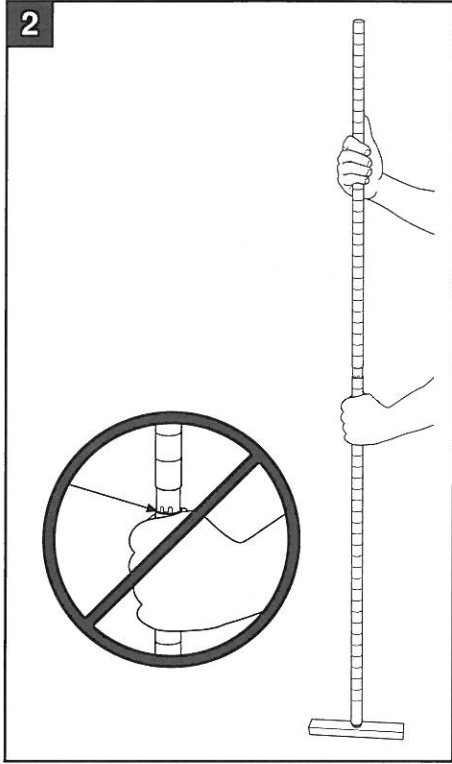
# Mobile Garment Rack



**InterMetro Industries Corporation**  
North Washington Street, Wilkes-Barre, PA 18705  
For Product Information Call: 1-800-433-2232  
Visit Our Web Site: [www.metro.com](http://www.metro.com)

**ASSEMBLY  
INSTRUCTIONS**  
*For Mobile Garment Rack*

# Mobile Garment Rack



**InterMetro Industries Corporation**  
North Washington Street, Wilkes-Barre, PA 18705  
For Product Information Call: 1-800-433-2232  
Visit Our Web Site: [www.metro.com](http://www.metro.com)

L01-328  
10/98

Information and specifications are subject to change without notice. Please confirm at time of order.