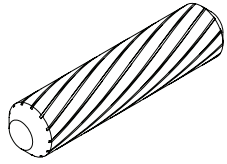
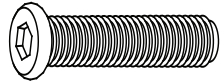


| | | |
|----------|-------------------------|----------|
| A | Top Panel | 1 |
| B | Right Side Panel | 1 |
| C | Left Side Panel | 1 |
| D | Partition | 1 |
| E | Back Panel | 1 |
| F | Bottom Panel | 1 |
| G | Front Panel | 1 |

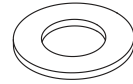
Please review the hardware listed on the next page as well as individual components of this product. As you unpack and prepare for assembly, place the contents on a carpeted or padded area to protect them from damage.



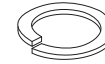
**H1 x 16
WOODEN
DOWEL**



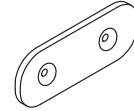
**H2 x 14
BOLT**



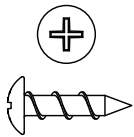
**H3 x 14
WASHER**



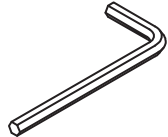
**H4 x 14
LOCK
WASHER**



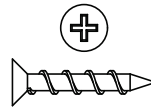
**H5 x 2
MENDING
PLATE**



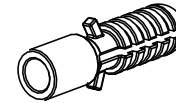
**H6 x 4
PAN HEAD
SCREW**



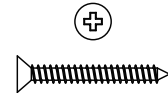
**H7 x 1
ALLEN
WRENCH**



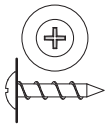
**H8 x 2
FLAT HEAD
SCREW**



**H9 x 1
WALL
ANCHOR**



**H10 x 1
WALL
SCREW**



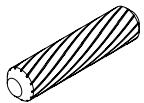
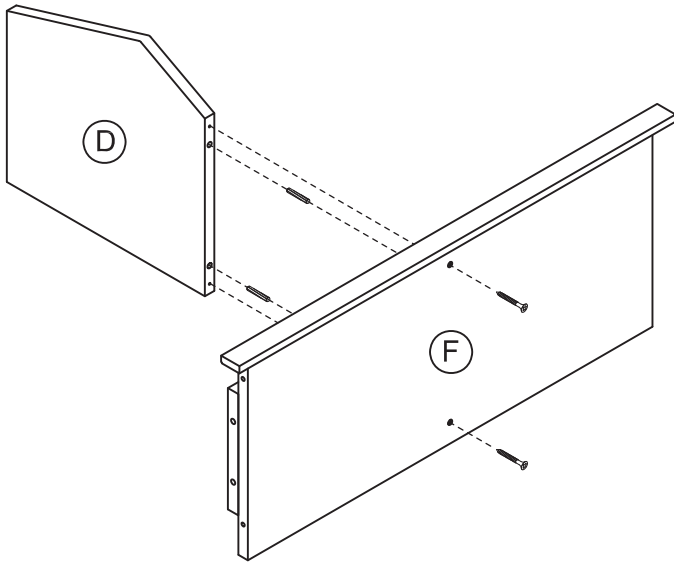
**H11 x 1
TRUSS HEAD
SCREW**



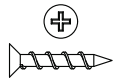
**H12 x 1
WALL
STRAP**

TOOLS REQUIRED: PHILLIPS SCREWDRIVER | HAMMER

STEP 1

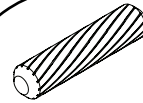
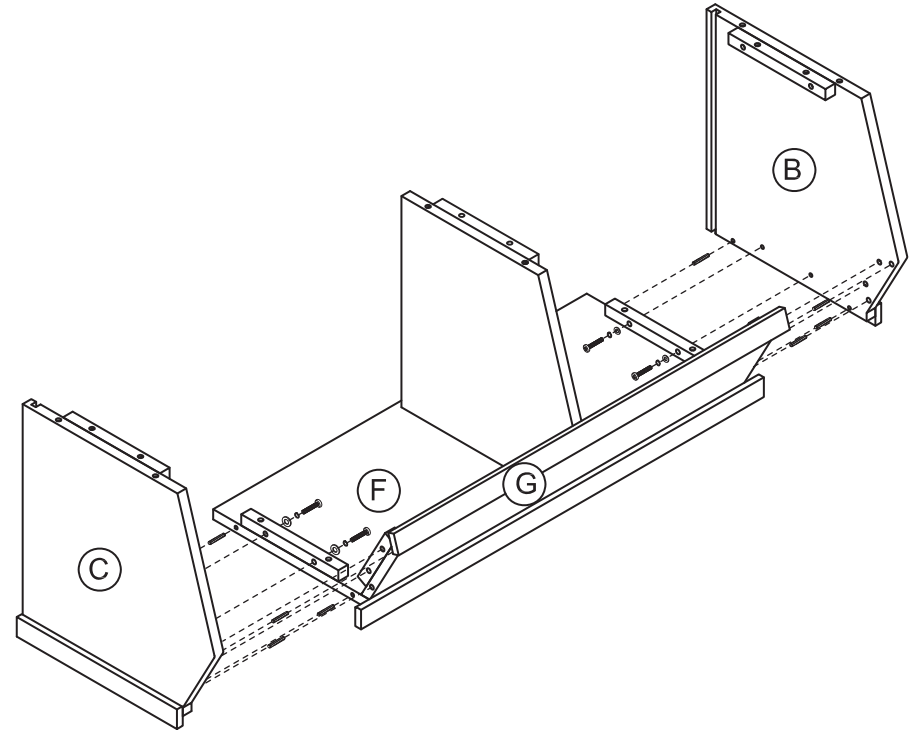


**H1 x 2
WOODEN
DOWEL**

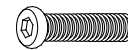


**H8 x 2
FLAT HEAD
SCREW**

STEP 2



**H1 x 8
WOODEN
DOWEL**



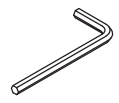
**H2 x 8
BOLT**



**H4 x 8
LOCK
WASHER**

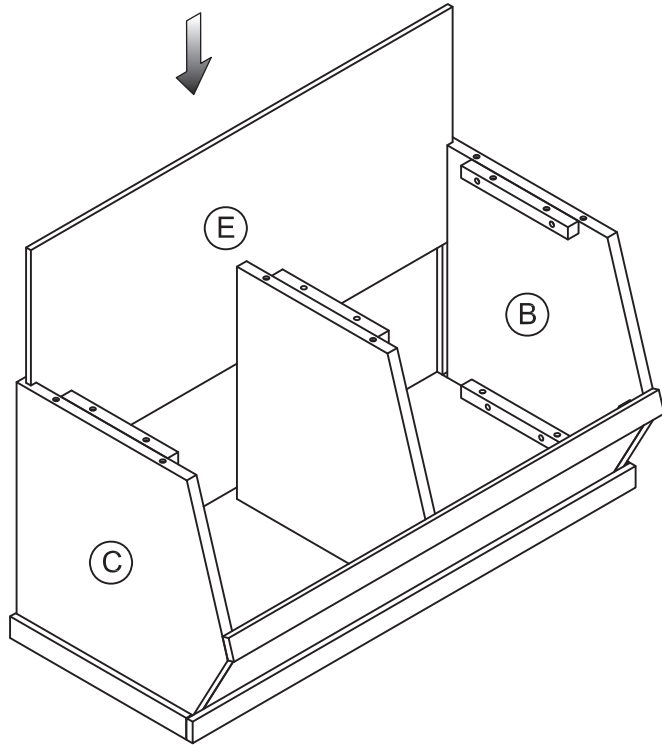


**H3 x 8
WASHER**

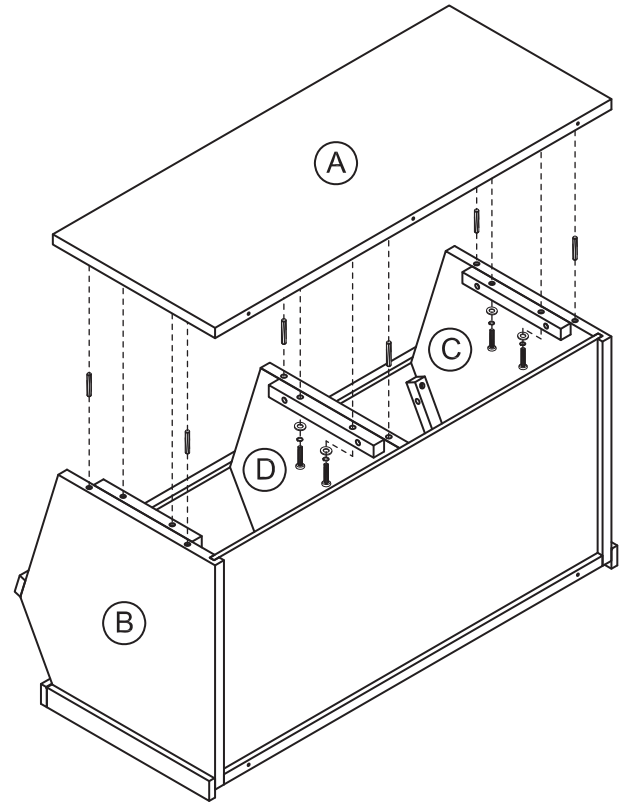


**H7 x 1
ALLEN
WRENCH**

STEP 3

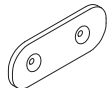
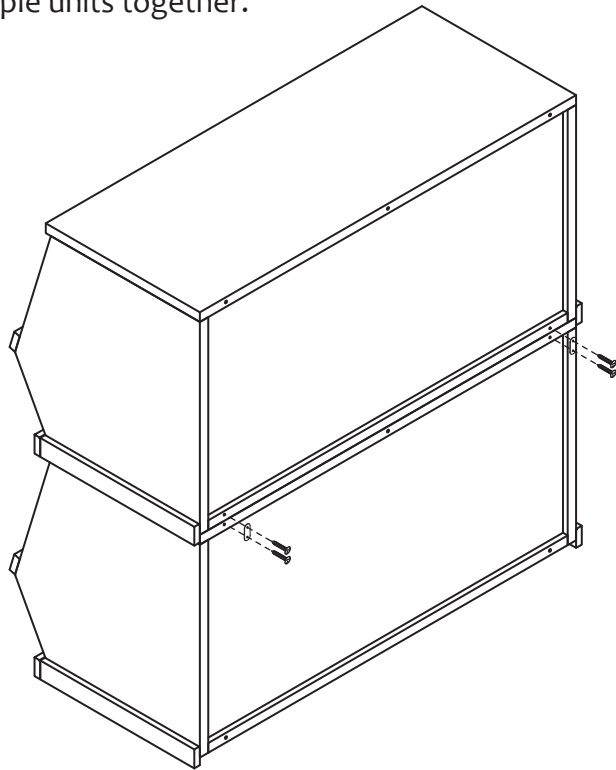


STEP 4



STEP 5

Use provided mending plates to fix multiple units together.

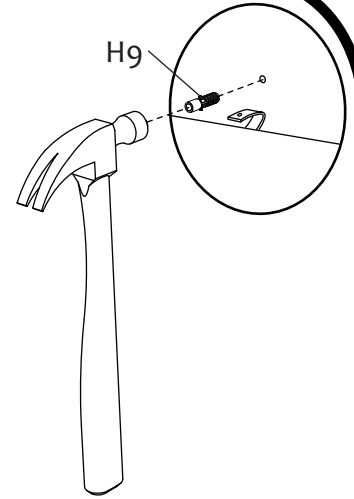
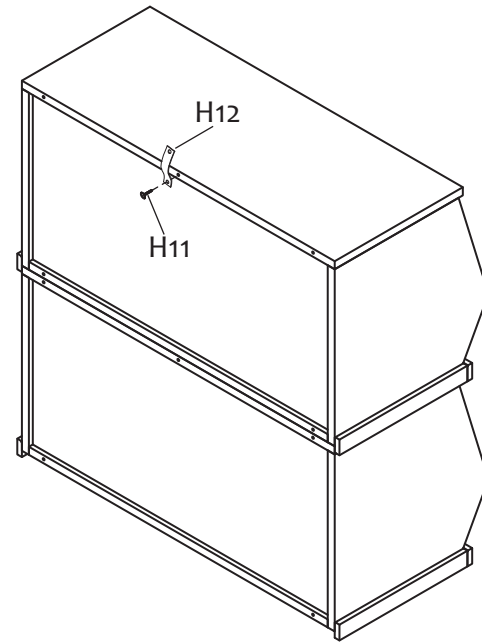


H5 x 2
MENDING
PLATE

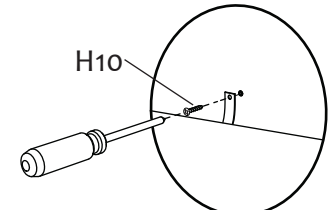


H6 x 4
PAN HEAD
SCREW

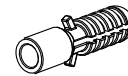
STEP 6



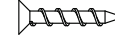
Position against wall
Mark position of strap hole
on wall
Drill 1/4" hole
tap in wall anchor



Fasten anti-tip strap with
wall screw provided



H9 x 1
WALL
ANCHOR



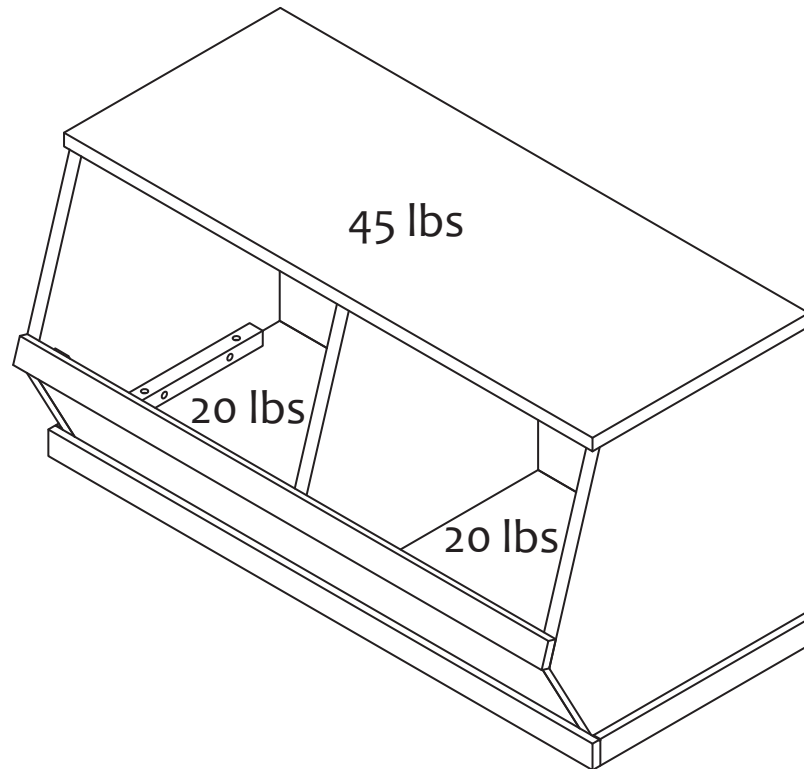
H10 x 1
WALL
SCREW



H11 x 1
TRUSS HEAD
SCREW



H12 x 1
WALL
STRAP



WARNING: Do not exceed the recommended weight limits on the designated panels. Exceeding these limits could cause sagging, possibly resulting in failure of product or bodily injury. Severe injury may occur if furniture tips over. Never allow children to climb or play on this product. Place heaviest items on lower shelves and as far back as possible, never overload product.