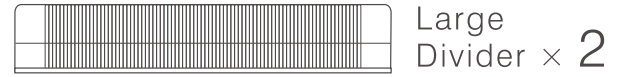


DOUBLE TIER UTILITY BOX | INSTRUCTIONS

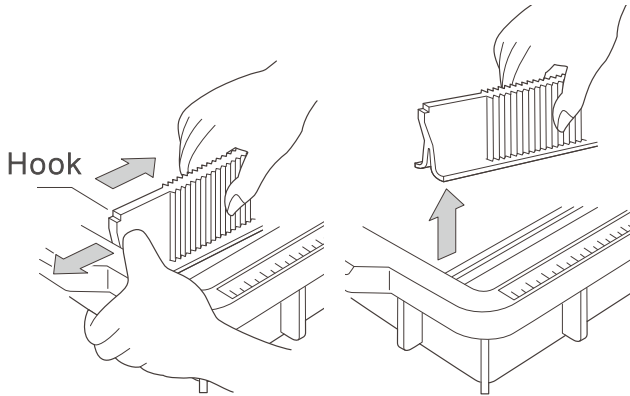
Please review this instruction guide before use. Keep for future reference.

Contents



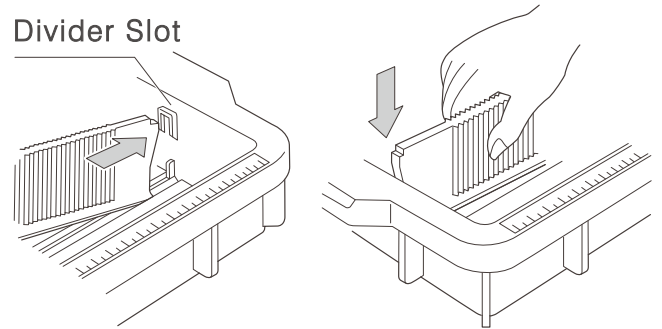
How to remove large dividers

Unhook divider from the body, and pull up until released.



How to install large divider

Place one end of the divider into desired divider slot, then push the other end into aligning slot.



	Small	Large
Outer Dimension	21" x 14-3/4" x 9-3/4"h	21" x 14-3/4" x 15-1/4"h
Inner Dimension (upper tier)	18-1/8" x 13-3/8" x 2-1/2"h	
Inner Dimension (bottom tier)	18" x 12-7/8" x 6"h	18" x 12-7/8" x 11-7/8"h
Capacity (bottom tier)	6.1gal (23L)	11.4gal (43L)
Max Load Bearing weight (bottom tier)	55lbs (25kg)	44lbs (40kg)
Max Stackable Number	10 boxes	5 boxes

Materials

Body, Lid, Buckle, Dividers(Small, Medium): PP (Polypropylene)

Dividers(Large): Polystyrene

Caution

- Keep away from fire or extreme heat.
- Always handle with care including when stacking products.
- Meant for storage use only.
- This product may be unstable when stacked high. Do not stand on or lean against stacked products.
- Do not drop or subject product to physical shock. It may cause damage.
- Be careful not to pinch or catch fingers when removing the divider or snapping handles closed.

Astase® 

ASTAGE GLOBAL INC.

Manufactured by JEJ ASTAGE CO., LTD.
2-28-12 Nishihonjoji Sanjo Niigata 955-0845 Japan
astage-global.com

MADE IN JAPAN